

BIOL@GIX®



Manufacturer
and **Supplier** of
Laboratory Products

V.2023



Biologix Group Ltd

Biologix is specialized in the R & D and production of complete biobanking products, cell culture products, and general laboratory products. Taking “Serve Human Health” as the object, Biologix’s two brands: BIOLOGIX and CryoKING enjoy international excellence and reputation from the power of the sustainable innovation and continuous improvement.

Biologix focuses on the R & D and innovation of core products, and has the standard class 100,000 clean room which are compliant with GMP standards and a number of professional R & D testing laboratories which are all ISO 9001, CE, and FDA registered, and follow the strict CDC guidelines for purity and efficiency. Biologix is committed to the design and manufacture of high-quality products, enriching product lines, and strengthening the service of complete solutions.

Biologix has developed a focus on constant innovation and improvement to offer optimal products, innovative solutions, and service to about dozens of countries and regions in Europe, America, and Asia. Biologix has been an international and well-known company in the world. Biologix wishes to strengthen the cooperation with international companies in OEM service and technical cooperation hand in hand to contribute to human health.

Ordering and Services

Private Labeling

Biologix offers a Private Labeling Program, providing high quality, branded lab supplies at very competitive prices. Many Biologix products are currently private labeled and sold worldwide by some of the most prominent brands and distributors.

OEM Services

Biologix also operates as an OEM provider for plastic laboratory consumables. With through our in-house molding and tooling capabilities, we can provide the exact products needed by our customers at significantly lower costs than other companies can achieve. Biologix currently supplies some of the world's top distributors with its OEM products.

Ordering Information

A. Free Product Samples

Let us send you a FREE sample package of our great products. Contact us today if you are interested in trying out Biologix products before you buy.

B. Distribution

If interested in distribution opportunities, please contact us for distributor terms and pricing. We are accepting distribution opportunities worldwide. Please contact us at Inquiry@BiologixGroup.com.

Guaranteed Quality
Exceptional Service

Professional Design
Logical Pricing

Certifications



CE



ISO



FDA

Contents

Cell Culture Series

Cell Culture Flasks	07
Cell Culture Dishes	08
Cell Culture Plates	09
Serological Pipettes	10
Cell Culture Slides	11
Centrifuge Tubes	12
Cell Strainers	13
Sterile Syringe Filters & Vacuum Units	14
Cell Scrapers & Lifters	15

CryoKING Biobanking

Screw Cap Microtubes	18
Cryogenic Vials	19
Side-Coded Cryogenic Vials	20
CryoKING Multi-Coded Cryogenic Vials	21–25
Automated Product Series of SBS Standards-Internal Thread	26–28
Premium Cardboard Cryogenic Boxes	29
ID-Color™ Cardboard Cryogenic Boxes	30
PC Cryogenic Boxes	31
PP Cryogenic Boxes	32
Freezer Racks	33
Scanners	34
CryoKING Tube Handling System	35
low Temperature Freezers	36
Liquid Nitrogen Tanks	37

General Laboratory Supplies

Microcentrifuge Tubes	39
Centrifuge Tube Racks	40
Liquid Handling Products	
Pipet Tips	41
Filter Tips	42
Filter Tips-S Series	43
LTS Pipette Tip	50
Refill Pack Pipette Tips	51
Automation Tips	52
Transfer Pipets	53
Solution Basins	54
Beakers	55

Reagent Bottles -Wide Mouth	56
Reagent Bottles -Narrow Mouth	57
Test Tubes	58
Slide Storage Boxes	59
Deep Well Plates	60
Sealing Films	61

PCR

PCR Tubes	62
8-Strip PCR Tubes	63
PCR Plates	64

Microbiology

Petri Dishes	65
Inoculating Loops & Needles	66
Cell Spreaders	67

Drosophila

Drosophila Vials	68
Drosophila Bottles	69
Drosophila Plugs	70

Sample Collection and

Detection Products	71
--------------------	----

Instruments

Liquid Handling	73–74
Collection System	75
Stirrers	76
Mixers & Rotators	77
Shakers	78
Thermocyclers	79
Centrifuges	80–82
Dry Bath Incubators	83–85
Electrophoresis	86
BluView Transilluminator	87
Magnetic Hotplate Stirrer	88
Stirrer	89
LCD Digital Rotary Evaporator	90

Catalog Number Index

Cat #	Page#	Cat #	Page#	Cat #	Page#	Cat #	Page#	Cat #	Page#
01-110X	77	01-910X	83	04-3100	56	07-5010	10	21-R0011S	51
01-120X	77	01-920X	83	04-3125	56	07-5025	10	21-R0200S	51
01-130X	77	01-930X	84	04-3250	56	07-5050	10	21-R0201S	51
01-2101	73	01-950X	85	04-3500	56	07-6006	09	21-R0200ES	51
01-2102	73	01-960X	85	04-N0004U	57	07-6012	09	21-R0201ES	51
01-2104	73	01-970X	85	04-N0008U	57	07-6024	09	21-R1000S	51
01-2110	73	01-980X	85	04-N0015U	57	07-6048	09	21-R1001S	51
01-2112	73	01-990X	85	04-N0030U	57	07-6096	09	22-0010	42
01-2115	73	02-0008	60	04-N0060U	57	07-8025	07	22-0011	42
01-2122	73	02-0096	60	04-N0100U	57	07-8075	07	22-0200	42
01-2155	73	02-1016	60	04-N0125U	57	07-8175	07	22-0201	42
01-220X	74	02-1022	60	04-N0250U	57	07-9025	07	22-1000	42
01-221X	74	02-1096	60	04-N0500U	57	07-9075	07	22-1001	42
01-2210	73	02-1196	60	04-N1004U	57	07-9175	07	23-0010	42
01-2250	73	02-2010-50	60	04-N1008U	57	08-PES1322R	14	23-0011	42
01-2230	73	02-2196	60	04-N1015U	57	08-PES2522R	14	23-0200	42
01-241X	73	02-2296	60	04-N1060U	57	08-PES3022R	14	23-0201	42
01-242X	73	02-3024	60	04-N1100U	57	08-PES3322S	14	23-1000	42
01-243X	73	02-6022	60	04-N1125U	57	08-PES3345S	14	23-1001	42
01-244X	73	02-7022	60	04-N1250U	57	08-PES3322M	14	23-0010S	43
01-270X	75	02-8005	60	04-N1500U	57	08-PES3345M	14	23-0011S	43
01-2801	73	02-9010	60	04-N2004U	57	08-CA3022R	14	23-0020S	43
01-2805	73	03-1300	86	04-N2008U	57	08-CA3045R	14	23-0021S	43
01-2830	73	03-2310	86	04-N2015U	57	09-PES2250	14	23-0050S	43
01-310X	76	03-3070	86	04-N2030U	57	09-PES2250F	14	23-0051S	43
01-320X	76	03-3100	86	04-N2060U	57	09-CA2250	14	23-0100S	43
01-330X	76	03-4221	84	04-N2100U	57	09-CA2250F	14	23-0101S	43
01-330XA	76	03-4222	84	04-N2125U	57	10-0151	12	23-0200S	43
01-340X	88	03-6210	87	04-N2250U	57	10-0152	12	23-0201S	43
01-341X	88	04-0008U	56	04-N2500U	57	10-0501	12	23-1000S	43
01-343X	88	04-0015U	56	04-N3004U	57	10-0502	12	23-1001S	43
01-344X	88	04-0030U	56	04-N3008U	57	10-0815	12	25-0051	54
01-350X	88	04-0060U	56	04-N3015U	57	10-0850	12	25-0052	54
01-351X	88	04-0125U	56	04-N3030U	57	10-9151	12	25-1025	54
01-352X	88	04-0250U	56	04-N3060U	57	10-9152	12	25-1100	54
01-353X	88	04-0500U	56	04-N3100U	57	10-9501	12	25-1202	54
01-361X	89	04-0100U	56	04-N3125U	57	10-9502	12	30-0135	53
01-362X	89	04-1008U	56	04-N3250U	57	10-9815	12	30-0135A1	53
01-370X	89	04-1015U	56	04-N3500U	57	10-9850	12	30-0138	53
01-371X	89	04-1030U	56	05-2720	75	12-1275	58	30-0138A1	53
01-372X	89	04-1060U	56	05-2721	75	12-1299	58	30-0238A1	53
01-373X	89	04-1125U	56	05-2791	75	12-1300	58	41-5025	59
01-420X	78	04-1250U	56	05-2792	75	12-1399	58	41-5100	59
01-510X	90	04-1500U	56	05-2793	75	12-2275	58	41-6025	59
01-520X	90	04-1100U	56	05-2797	75	15-1040	13	41-6100	59
01-540X	90	04-2008	56	05-2798	75	15-1070	13	51-0500	68
01-621XA	78	04-2015	56	07-2101	11	15-1100	13	51-0501	68
01-700X	79	04-2030	56	07-2102	11	20-0010	41	51-0505	70
01-710X	79	04-2060	56	07-2104	11	20-0200	41	51-0800	68
01-800X	80	04-2100	56	07-2108	11	20-1000	41	51-0801	68
01-821X	80	04-2125	56	07-3035	08	20-1250	41	51-0805	70
01-830X	81	04-2250	56	07-3060	08	20-1251	41	51-17720	69
01-832X	81	04-2500	56	07-3100	08	21-0010	41	51-17721	69
01-860X	82	04-3008	56	07-3150	08	21-0200	41	51-17725	70
01-870X	82	04-3015	56	07-5001	10	21-1000	41	60-0008	63
01-900X	85	04-3030	56	07-5002	10	21-1250	41	60-0016	64
01-9A0X	85	04-3060	56	07-5005	10	21-R0010S	51	60-0016W	64

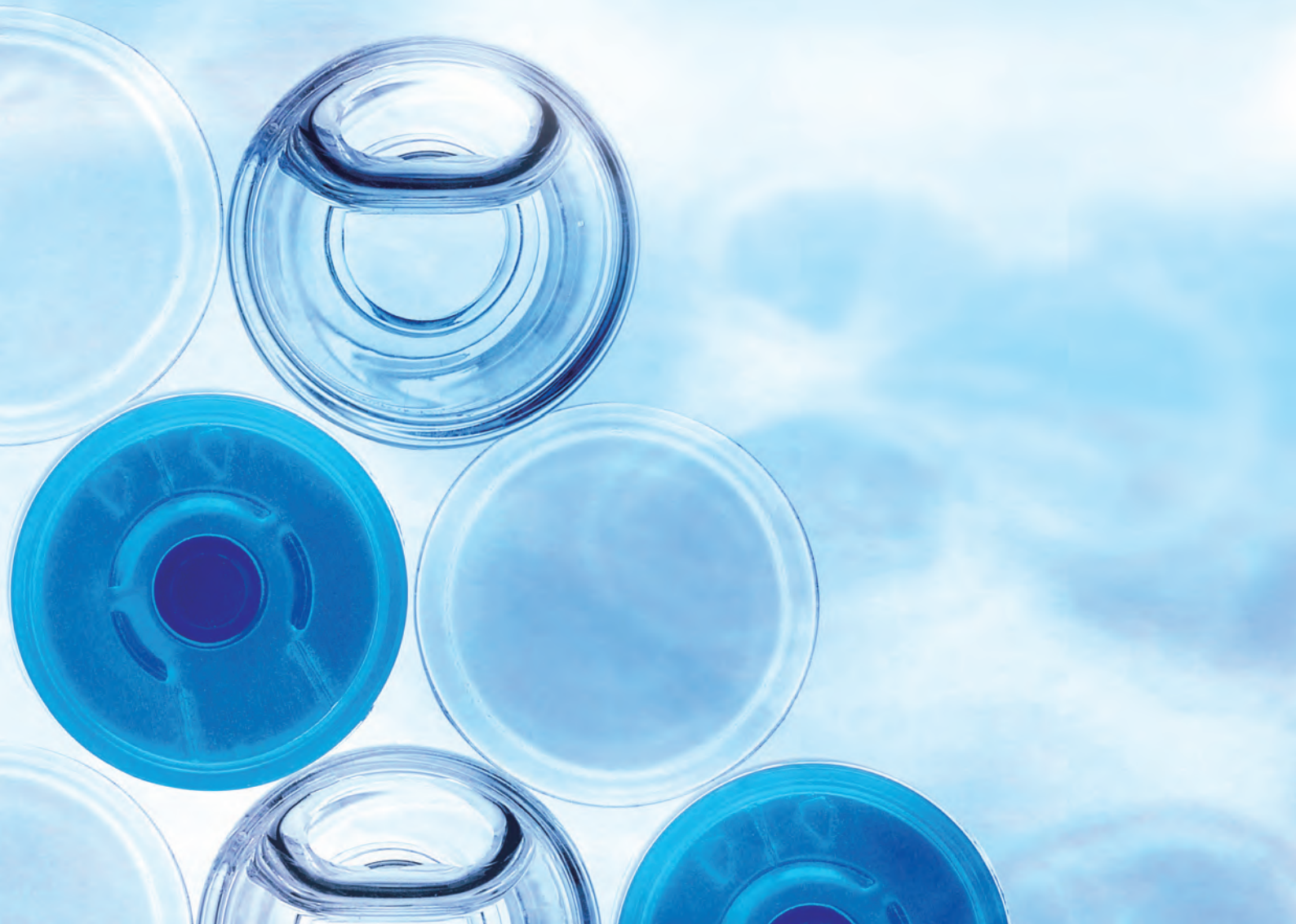
Catalog Number Index

Cat #	Page#	Cat #	Page#	Cat #	Page#	Cat #	Page#
60-0056	64	80-1501	39	90-1550	40	99-62XX	33
60-0082	62	80-1502	39	90-2200	29	99-7216	33
60-0088	63	80-1503	39	90-2281	29	99-7220	33
60-0108	63	81-0000	18	90-2300	29	99-7224	33
60-0156	64	81-0001	18	90-2381	29	CKS-1520	35
60-0182	62	81-0002	18	90-5016	40	CKS-152X	35
60-0188	63	81-0003	18	90-5025	40	CKS-0101	34
60-0208	63	81-0004	18	90-5200	29	CKS-1301	34
60-0256	64	81-0005	18	90-5281	29	AB23-0020S	52
60-0282	62	81-0006	18	90-8009	40	AB23-0050S	52
60-0288	63	81-0055	18	90-8100	30	AB23-0250S	52
60-0308	63	81-0056	18	90-8200	30	AT23-0020S	52
60-0356	64	81-0154	18	90-8281	30	AT23-0020CS	52
60-0382	62	81-0204	18	90-8381	30	AT23-0050S	52
60-0388	63	81-0205	18	90-9009	31	AT23-0050CS	52
60-0408	63	81-7055	19	90-9025	32	AT23-0200S	52
60-0456	64	81-7056	19	90-9081	32	AT23-0200CS	52
60-0482	62	81-7154	19	90-9100	32	AT23-1000S	52
60-0482	62	81-7205	19	90-9200	32	AT23-1000CS	52
60-0482	62	81-8204	19	90-9210	31	AH23-0050S	52
60-0488	63	88-4033	26	90-9250	31	AH23-0050CS	52
60-1016	64	88-4053	26	90-9381	31	AH23-0300S	52
60-1016W	64	88-4083	26	93-0050	23	AH23-0300CS	52
60-1088	63	88-4103	26	93-0100	23	AH23-1000S	52
60-1088W	63	88-508X	28	93-0250	23	AH23-1000CS	52
61-0010	61	88-514X	28	93-0400	23	AA21-0030S	52
61-0020	61	88-600X	21	93-0800	23	AA23-0250S	52
61-0040	61	88-605X	21	93-1000	23	R21-R0020S	51
61-0041	61	88-610X	21	96-2216	33	R21-R0021S	51
61-0051	61	88-615X	21	96-2220	33	R21-R0200S	51
61-0060	61	88-620X	21	96-2224	33	R21-R0201S	51
61-0080	61	88-621X	21	96-62XX	33	R21-R1000S	51
61-0120	61	88-650X	21	96-5216	33	R21-R1001S	51
61-0152	61	88-905X	23	96-5220	33	R23-0020	50
61-0210	61	88-910X	23	96-7216	33	R23-0021	50
61-0303	61	88-915X	23	96-7220	33	R23-0200	50
61-0304	61	88-920X	24	96-7224	33	R23-0201	50
65-0001	66	88-921X	25	98-0113	31	R23-1000	50
65-0002	66	88-950X	24	98-0200	31	R23-1001	50
65-0010	66	89-423X	26	98-0213	31		
65-1001	67	89-425X	26	98-0313	31		
65-1010	67	89-428X	26	98-1213	31		
66-1501	65	89-421X	26	98-4127	26		
66-1515	65	89-508X	28	98-4227	26		
66-1560	65	89-514X	28	98-5227	28		
66-1701	65	89-905X	23	98-5327	28		
70-1180	15	89-910X	23	99-2215	33		
70-1250	15	89-915X	23	99-2216	33		
70-2180	15	89-920X	24	99-2220	33		
7101	59	89-921X	25	99-2224	33		
7105	59	89-922X	24	99-2225	33		
80-0015	39	89-923X	25	99-2230	33		
80-0020	39	89-950X	24	99-5216	33		
80-0500	39	90-1200	29	99-5220	33		
80-1500	39	90-1281	29	99-5224	33		
80-1500-S	39	90-1536	40	99-5225	33		

Cell Culture Series

Cell culture involves sampling cells from an organism, placing these cells in an in vitro environment, and observing the growth, reproduction, aging or other processes of the cells. Cell culture has become an important practice in life science research, and plays a central role in the development of the biotechnology industry.

The Biologix Cell Culture Series offers a range of safe and reliable basic supplies for cell transfer, filtering, and other applications.

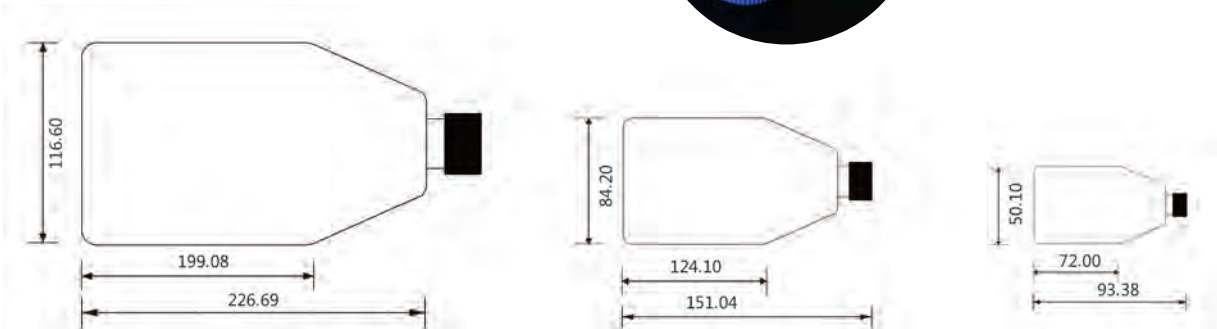




>> Features

- Made of high quality medical grade polystyrene
- Available flask sizes include surface areas of 25 cm², 75 cm², or 175 cm²
- Plug cap and filter cap options available for all flask sizes
- Plug caps completely isolate the culture from the outside environment
- Filter caps prevent cross-contamination while meeting the requirements for gas exchange
- Short, wide, angled neck design for easy access
- Gamma radiation sterilized
- Non-pyrogenic, non-cytotoxic
- DNase & RNase free, human DNA free

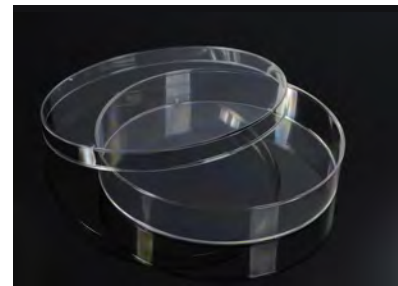
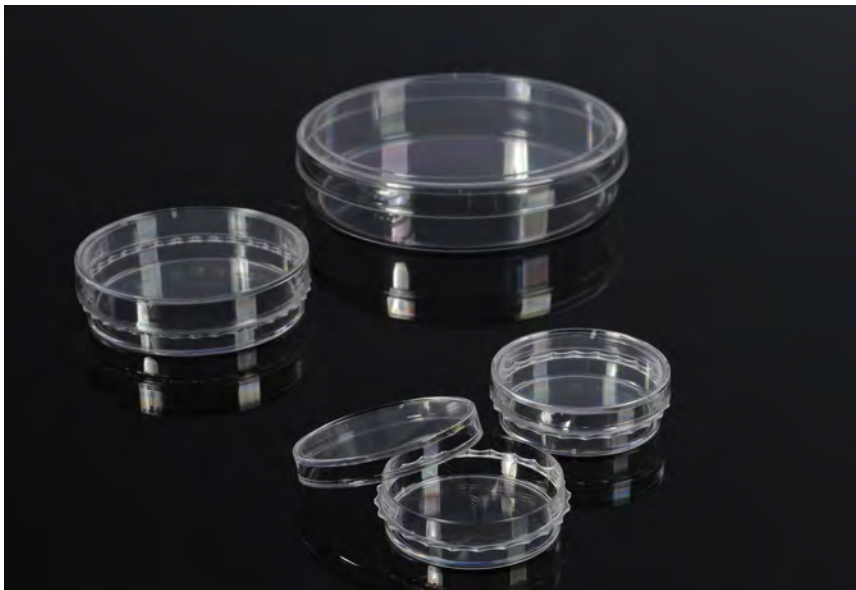
Suitable for open culture conditions, effectively preventing cross-contamination while meeting therequirements for gas exchange in cell and tissue culture



Dimensions = mm

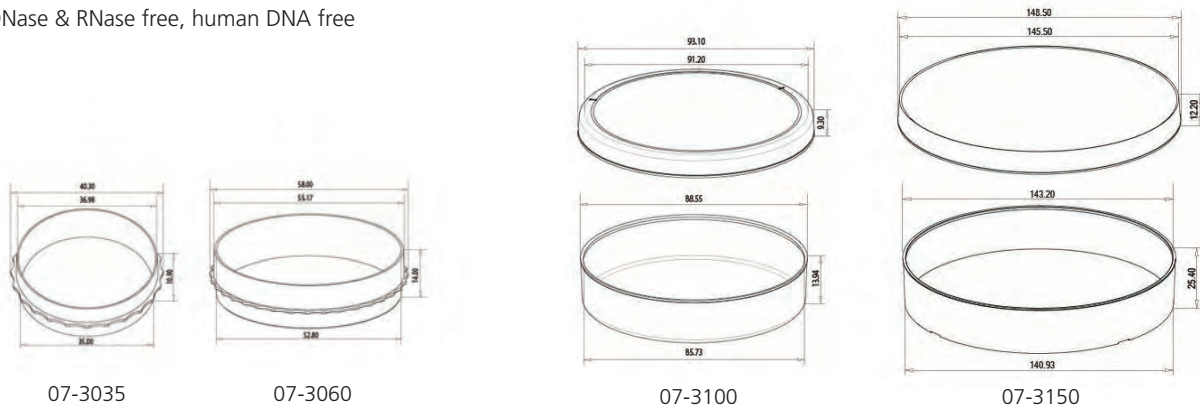
Cat #	Cap Type	Culture Area	Working Volume	Total Volume	Surface Treatment	Sterile	Unit	Total
07-8025	Filter	25cm ²	7ml	60 ml	Yes	Yes	5 /Bag, 40 Bags/Case	200 /Case
07-8075	Filter	75cm ²	25ml	250ml	Yes	Yes	5 /Bag, 20 Bags/Case	100 /Case
07-8175	Filter	175cm ²	50ml	650ml	Yes	Yes	5 /Bag, 8 Bags/Case	40 /Case
07-9025	Plug	25cm ²	7ml	60ml	Yes	Yes	5 /Bag, 40 Bags/Case	200 /Case
07-9075	Plug	75cm ²	25ml	250ml	Yes	Yes	5 /Bag, 20 Bags/Case	100 /Case
07-9175	Plug	175cm ²	50ml	650ml	Yes	Yes	5 /Bag, 8 Bags/Case	40 /Case

Cell Culture Dishes



>> Features

- Made of high quality medical grade polystyrene
- Lid design promotes effective gas exchange
- External grip for easier handling (07-3035 and 07-3060)
- Raised edges for convenient stacking
- Vacuum plasma surface treatment ensures excellent cell adhesion
- Smooth, transparent materials facilitate observation of cells through a microscope
- Electron beam sterilized
- Non-pyrogenic, non-cytotoxic
- DNase & RNase free, human DNA free



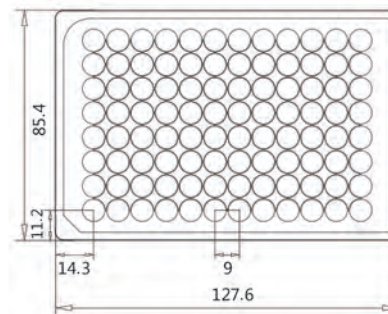
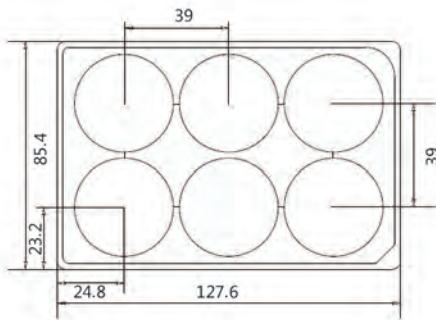
Dimensions = mm

Cat #	Dish style D x H (mm)	Internal Dimensions D x H (mm)	Culture Area	Working Volume	External Grip	Sterile	Unit
07-3035	35.00 x 10.00	34.30 x 9.30	9.40cm ²	3.00ml	Yes	Yes	10 /Bag, 500 /Case
07-3060	60.00 x 15.00	52.80 x 12.80	21.50cm ²	5.00ml	Yes	Yes	10 /Bag, 500 /Case
07-3100	90.00 x 20.00	86.26 x 17.70	57.50cm ²	12.50ml	No	Yes	10 /Bag, 200 /Case
07-3150	150.00 x 25.00	140.20 x 23.30	148.00cm ²	35.00ml	No	Yes	10 /Bag, 120 /Case



>> Features

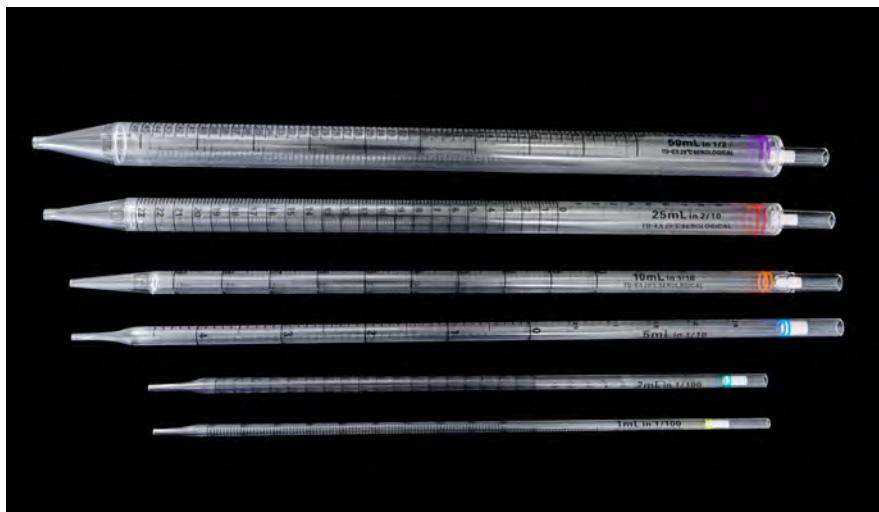
- Constructed of prime virgin polystyrene
- Plate cover design minimizes the risk of cross contamination
- Thin-walled well bottoms increase thermal consistency, reducing the edge effect
- Flat well bottoms provide excellent clarity for microscopic examination of samples
- Raised well rim design around each well enables secure sealing and safeguards against evaporation
- Gamma radiation sterilized
- Non-pyrogenic, non-cytotoxic
- DNase & RNase free, human DNA free



Dimensions = mm

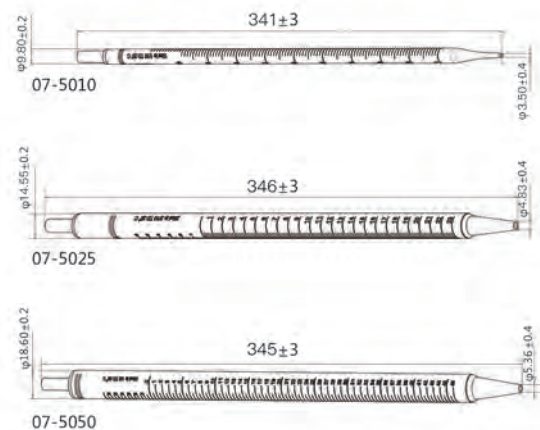
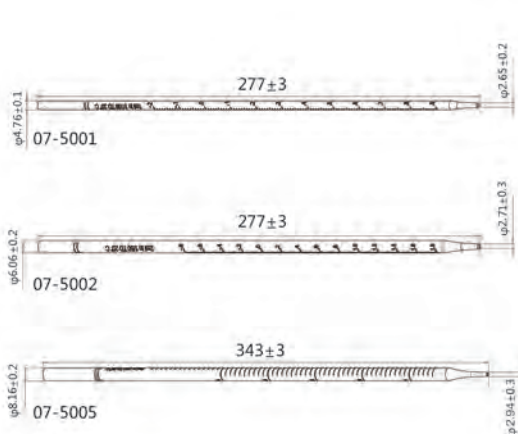
Cat #	Wells	External Dimensions W x L x H (mm)	Well Dimensions D x H (mm)	Culture Area	Working Volume	Sterile	Unit
07-6006	6-well	85.40 x 127.60 x 20.20	35.00 x 17.50	9.6cm ²	3ml	Yes	1 /Bag, 50 Bags/Case
07-6012	12-well	85.40 x 127.60 x 20.20	21.90 x 17.50	3.8cm ²	2ml	Yes	1 /Bag, 50 Bags/Case
07-6024	24-well	85.40 x 127.60 x 20.20	15.50 x 17.50	1.9cm ²	1ml	Yes	1 /Bag, 50 Bags/Case
07-6048	48-well	85.40 x 127.60 x 20.20	9.75 x 17.50	0.75cm ²	0.5ml	Yes	1 /Bag, 50 Bags/Case
07-6096	96-well	85.40 x 127.60 x 14.40	6.50 x 10.80	0.33cm ²	0.2ml	Yes	1 /Bag, 50 Bags/Case

Serological Pipettes



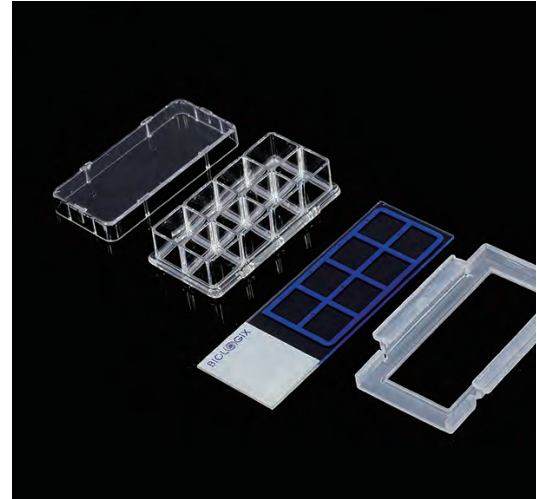
>> Features

- Constructed of highly transparent prime virgin polystyrene
- Available in 1ml, 2ml, 5ml, 10ml, 25ml, 50ml volumes
- Each volume labeled with a different color for ease of use
- Ascending and descending graduations
- Filter at the top of each pipette prevents damage to pipettors
- Electron beam sterilized
- Non-pyrogenic, non-cytotoxic
- DNase & RNase free, human DNA free



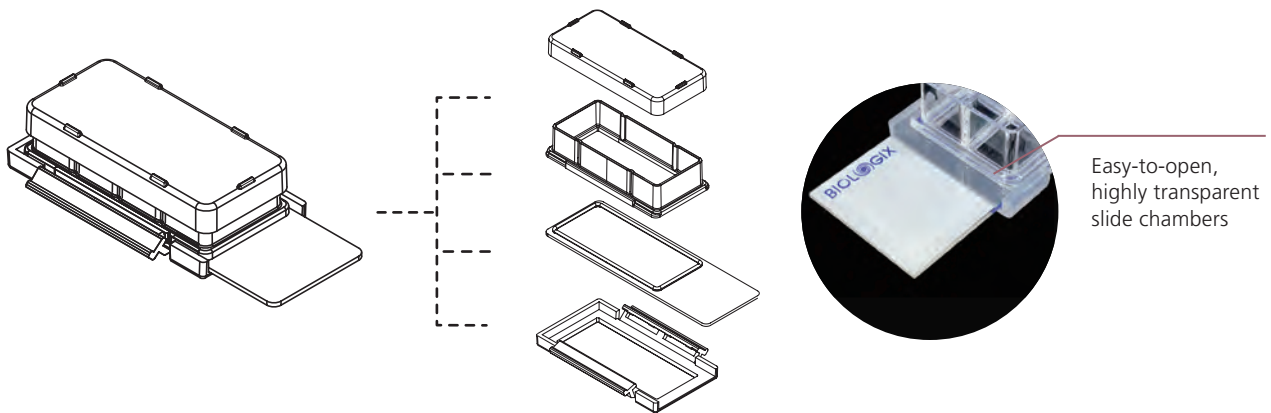
Dimensions = mm

Cat #	Working Volume	Color	Sterile	Unit	Total
07-5001	1.00ml	Yellow	Yes	1 /Bag, 200 Bags/Pack, 4 Packs/Case	800 /Case
07-5002	2.00ml	Green	Yes	1 /Bag, 150 Bags/Pack, 4 Packs/Case	600 /Case
07-5005	5.00ml	Blue	Yes	1 /Bag, 100 Bags/Pack, 4 Packs/Case	400 /Case
07-5010	10.00ml	Orange	Yes	1 /Bag, 100 Bags/Pack, 4 Packs/Case	400 /Case
07-5025	25.00ml	Red	Yes	1 /Bag, 50 Bags/Pack, 4 Packs/Case	200 /Case
07-5050	50.00ml	Purple	Yes	1 /Bag, 40 Bags/Pack, 4 Packs/Case	160 /Case



>> Features

- Easy-to-open, highly transparent slide chambers
- Chamber numbering for convenient sample identification
- Polystyrene chamber piece available with 1, 2, 4, or 8 wells
- Packing trays can be used as incubation racks in CO₂ incubators
- Slide and chamber apparatus can be easily disassembled without damaging samples
- EO Sterilized



Cat #	Material Chamber/Slide/Holder	Wells	Color	Growth Area	Working	Sterile	Unit	Total
07-2101	PS /Glass/PP	1-well	Clear	9.40cm ²	2.50-5.50ml	Yes	6 /Pack, 2 Packs/Case	12 /Case
07-2102	PS /Glass/PP	2-well	Clear	4.55cm ²	1.20-2.50ml	Yes	6 /Pack, 2 Packs/Case	12 /Case
07-2104	PS /Glass/PP	4-well	Clear	2.13cm ²	0.50-1.30ml	Yes	6 /Pack, 2 Packs/Case	12 /Case
07-2108	PS /Glass/PP	8-well	Clear	0.98cm ²	0.20-0.60ml	Yes	6 /Pack, 2 Packs/Case	12 /Case

Centrifuge Tubes



>> Features

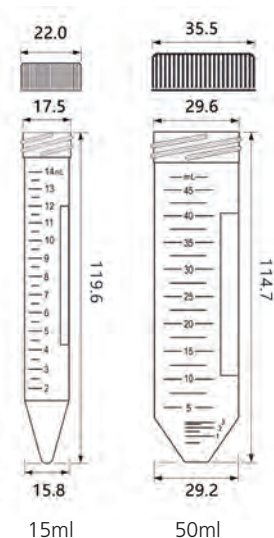
- Tubes: made of strong, highly transparent medical grade polypropylene
- Flat-top caps: made of medical grade polyethylene
- Plug-seal screw on caps: made of medical grade polypropylene
- 15ml and 50ml conical tubes available;
- Large white writing area for easy marking
- Double threaded design reduces cross-threading; caps are easily opened and closed
- Flat-top caps can be written on
- Gamma radiation sterilized, non-pyrogenic, RNase&DNase free
- Available in racked package (sterile) or bulk package (sterile & non-sterile)

Specifications

- Working temperature: stable from -20°C to 121°C (except flat-top cap)
- 15ml and 50ml tubes can withstand centrifugation of 8,400 and 9,400 G respectively
- Sealing test: complies with the International Air Transport Association (IATA) Safety Standards



Cat #	Volume	Caps	Sterile	Package	Unit	Total
10-9151	15ml	Flat Top	Yes	Rack	50 /Rack, 10 Racks /Case	500 /Case
10-9152	15ml	Flat Top	Yes	Bulk	25 /Bag, 20 Bags /Case	500 /Case
10-9501	50ml	Flat Top	Yes	Rack	25 /Rack, 20 Racks /Case	500 /Case
10-9502	50ml	Flat Top	Yes	Bulk	25 /Bag, 20 Bags /Case	500 /Case
10-9815	15ml	Flat Top	No	Bulk	500 /Case	500 /Case
10-9850	50ml	Flat Top	No	Bulk	500 /Case	500 /Case
10-0151	15ml	Plug Seal	Yes	Rack	50 /Rack, 10 Racks /Case	500 /Case
10-0152	15ml	Plug Seal	Yes	Bulk	25 /Bag, 20 Bags /Case	500 /Case
10-0501	50ml	Plug Seal	Yes	Rack	25 /Rack, 20 Racks /Case	500 /Case
10-0502	50ml	Plug Seal	Yes	Bulk	25 /Bag, 20 Bags /Case	500 /Case
10-0815	15ml	Plug Seal	No	Bulk	500 /Case	500 /Case
10-0850	50ml	Plug Seal	No	Bulk	500 /Case	500 /Case

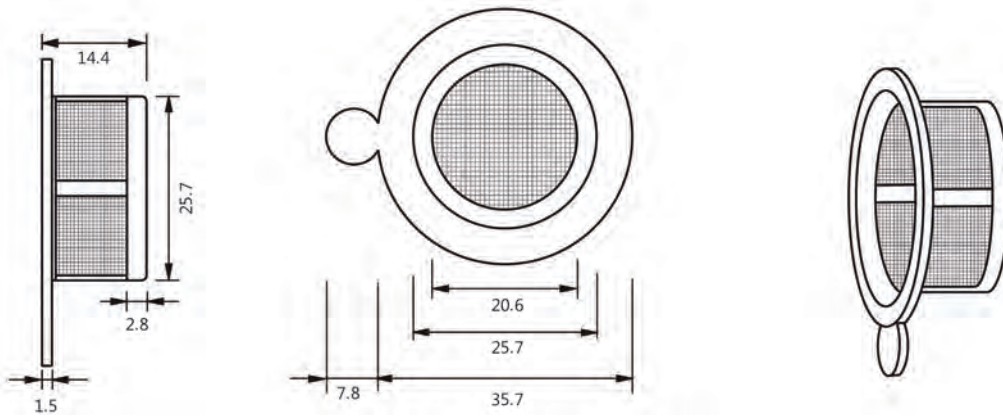


Dimensions = mm



>> Features

- Made of sturdy polypropylene and strong nylon mesh
- Three different pore sizes available: 40µm, 70µm, or 100µm
- Strainers are color-coded according to pore size for convenience
- Fits perfectly into Bioligix 50ml Centrifuge Tubes
- Gamma radiation sterilized, non-pyrogenic



Dimensions = mm

Cat #	Size	Color	Sterile	Package	Unit	Total
15-1040	40µm	Purple	Yes	Individual	1 /Bag, 100 Bags/Case	100 /Case
15-1070	70µm	Orange	Yes	Individual	1 /Bag, 100 Bags/Case	100 /Case
15-1100	100µm	Green	Yes	Individual	1 /Bag, 100 Bags/Case	100 /Case

Sterile Syringe Filters & Vacuum Units



>> Features

- Syringe filters are suitable for 1ml~150ml liquid or solution, vacuum units are suitable for 150ml~2L liquid or solution
- Single Use and Gamma Ray pre-sterilized
- Sterile graded 0.2um membrane: LRV > 7 for *Brevundimonas diminuta*, ATCC19146.
- Non-pyrogenic, low extractables and surfactant-free ensures purity of filtrate.
- Extreme-low Protein Binding <1.5% (PES)
- Excellent Throughput, for faster filtration and more process volume.

Cat #	Description	Sterile	Unit
08-PES1322R	Syringe filters. Membrane: PES, pore size: 0.22µm, diameter:13mm. Female luer lock + male luer slip. Extreme-low protein binding. Individually packed	Yes	100 /Pack, 8 Packs/Case
08-PES2522R	Syringe filters. Membrane: PES, pore size: 0.22µm, diameter:25mm. Female luer lock + male luer slip. Extreme-low protein binding. Individually packed	Yes	100 /Pack, 4 Packs/Case
08-PES3022R	Syringe filters. Membrane: PES, pore size: 0.22µm, diameter:30mm. Female luer lock + male luer slip. Extreme-low protein binding. Individually packed	Yes	100 /Pack, 4 Packs/Case
08-PES3322S	Syringe filters. Membrane: PES, pore size: 0.22µm, diameter:33mm. Double luer lock. Extreme-low protein binding. Individually packed	Yes	100 /Pack, 4 Packs/Case
08-PES3345S	Syringe filters. Membrane: PES, pore size: 0.45µm, diameter:33mm. Double luer lock. Extreme-low protein binding. Individually packed	Yes	100 /Pack, 4 Packs/Case
08-PES3322M	Syringe filters. Membrane: PES, pore size: 0.22µm, diameter:33mm. Female luer lock + male luer slip. High pressure resistance. Individually packed	Yes	100 /Pack, 4 Packs/Case
08-PES3345M	Syringe filters. Membrane: PES, pore size: 0.45µm, diameter:33mm. Female luer lock + male luer slip. High pressure resistance. Individually packed	Yes	100 /Pack, 4 Packs/Case
08-CA3022R	Syringe filters. Membrane: CA, pore size: 0.22µm, diameter:30mm. Female luer lock + male luer slip. High biocompatibility. Individually packed	Yes	100 /Pack, 4 Packs/Case
08-CA3045R	Syringe filters. Membrane: CA, pore size: 0.45µm, diameter:30mm. Female luer lock + male luer slip. High biocompatibility. Individually packed	Yes	100 /Pack, 4 Packs/Case
09-PES2250	Vacuum filtration unit. Membrane: PES, pore size: 0.22µm, diameter:90mm, funnel volume: 500ml, receiver volume: 500ml	Yes	12 /Case
09-PES2250F	Vacuum filtration unit-funnel. Membrane: PES, pore size: 0.22µm, diameter:90mm, funnel volume: 500ml	Yes	24 /Case
09-CA2250	Vacuum filtration unit. Membrane: CA, pore size: 0.22µm, diameter:90mm, funnel volume: 500ml, receiver volume: 500ml	Yes	12 /Case
09-CA2250F	Vacuum filtration unit-funnel. Membrane: CA, pore size: 0.22µm, diameter:90mm, funnel volume: 500ml	Yes	24 /Case

*For more models, please contact the sales manager.

Cell Scrapers & Lifters



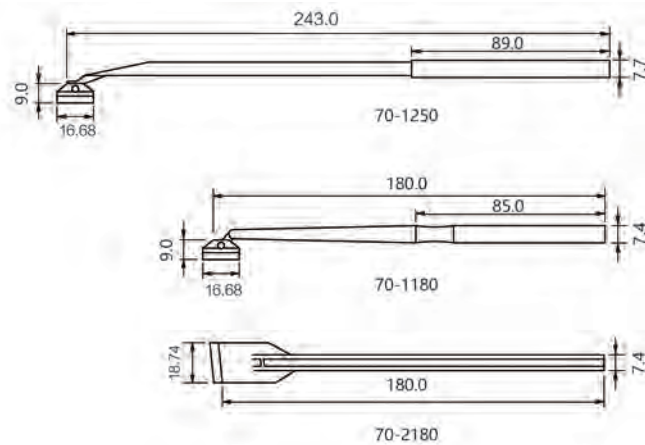
>> Features

Cell Scrapers

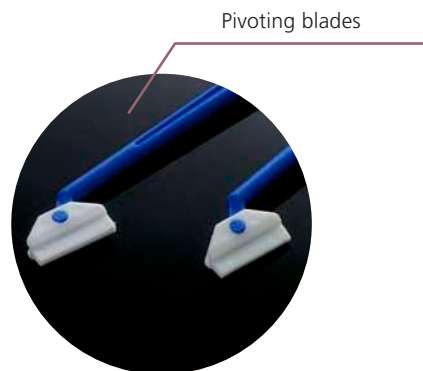
- Made of polyethylene
- Available in two sizes: 18cm or 25cm in length,
- Pivoting blade makes precise cutting and scraping movements
- Gamma radiation sterilized, non-pyrogenic

Cell Lifters

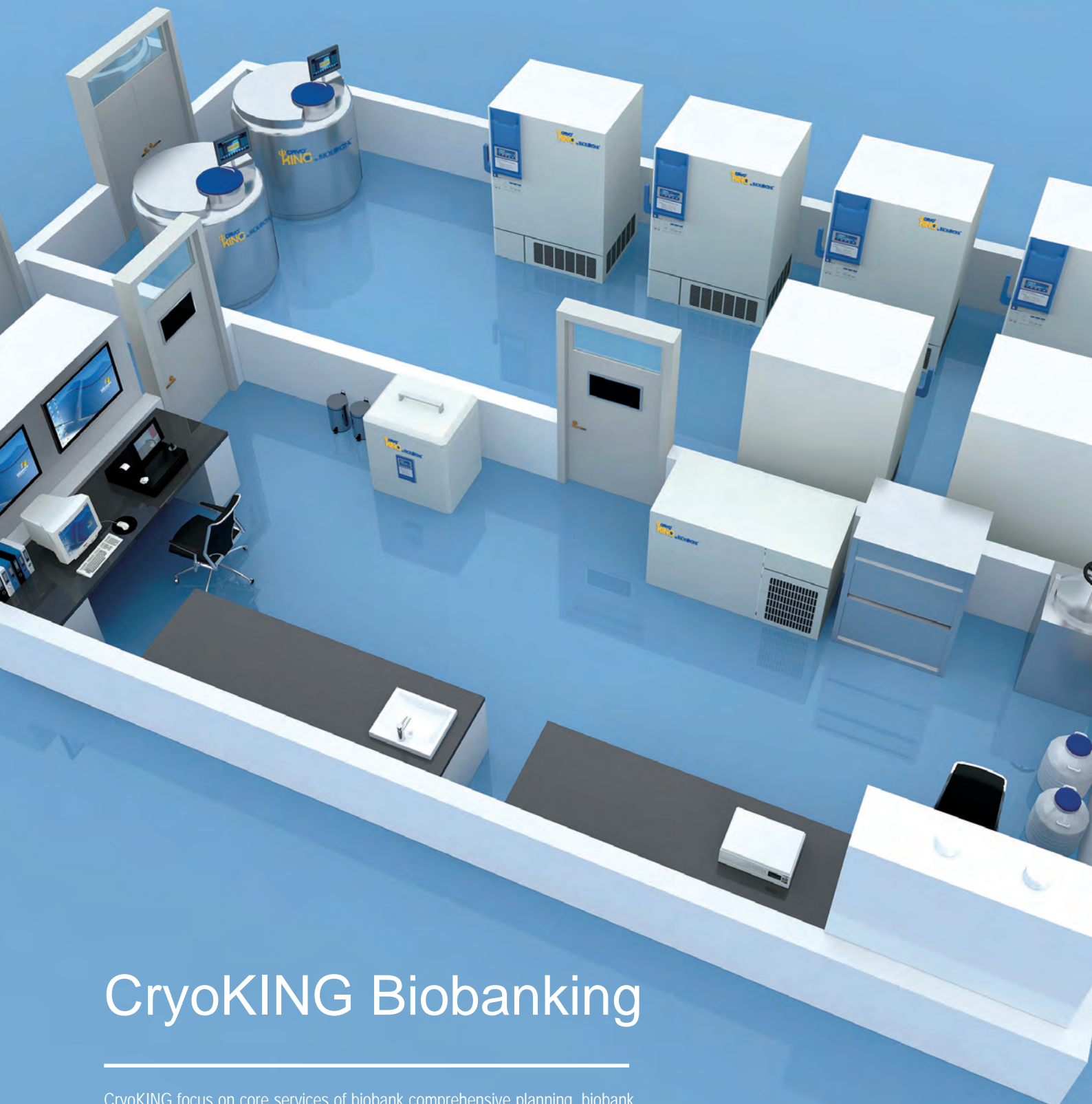
- Made of polyethylene
- One-piece design and chiseled blade provide improved control while minimizing damage to cells
- Gamma radiation sterilized, non-pyrogenic



Dimensions = mm



Cat #	Name	Handle Length	Sterile	Package	Unit	Total
70-2180	Cell Lifter	18cm	Yes	Individual	1 /Bag, 100 Bags/Case	100 /Case
70-1180	Cell Scraper	18cm	Yes	Individual	1 /Bag, 100 Bags/Case	100 /Case
70-1250	Cell Scraper	24.3cm	Yes	Individual	1 /Bag, 200 Bags/Case	200 /Case



CryoKING Biobanking

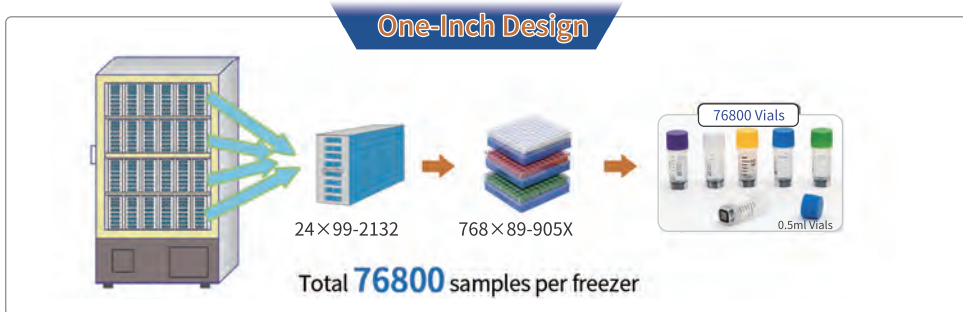
CryoKING focus on core services of biobank comprehensive planning, biobank product supply and biobank systematic training, which continuously enhance systematic service ability. We are building a one-stop supply model featuring high automation degree, advanced modular function, perfect information layout, and full provision of hardware and software.

CRYOKING MULTI-CODED CRYOGENIC VIALS ENHANCE BIOBANKING MANAGEMENT

CryoKING multiple codes include side 1D barcode, side human-readable code, laser etched bottom 2D code, and bottom human-readable code. These codes can be read by various scanners and efficiently lower the risks of information loss. Multi-coded cryogenic vials enable the storage security and enhance biobanking management.

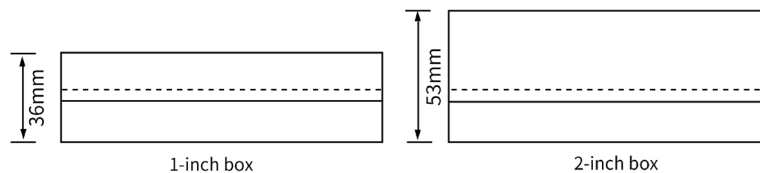


ONE-INCH REVOLUTION



CryoKING One-Inch Revolution doubles your sample storage with half of the space and cost. 34032 extra samples can be stored per freezer.

In the same storage space, 100-welled cryogenic boxes (10×10) can store 23% more samples compared with 81-welled cryogenic boxes (9×9).

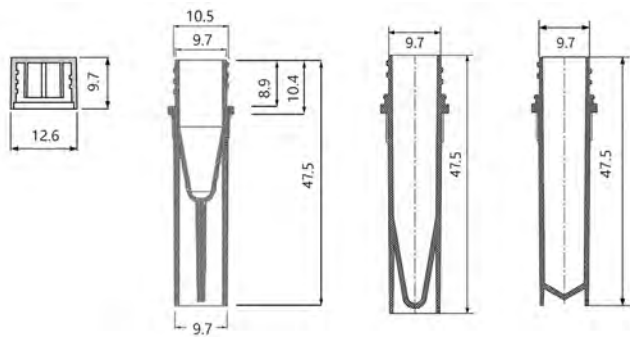


Screw Cap Microtubes



>> Features

- Made of medical grade polypropylene
- Can be repeatedly frozen and thawed
- Universal screw threads for use
- Tubes fit most common rotors and standard 1-inch and 2-inch boxes
- DNase & RNase free, endotoxin free, and human DNA free
- Autoclavable to 121°C and freezable to -86°C



81-000(X)

81-0055&81-0056

81-0154

81-0204&81-0205

Dimensions = mm



81-0055



81-0056



81-0154



81-0204



81-0205



Caps

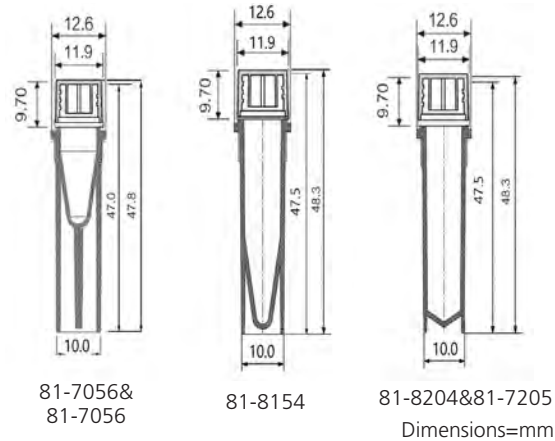
Cat#	Type	Volume	Height	Color	Bottom	Sterile	Unit	Total
81-0055	Tubes	0.5ml	47.5	Brown	Self-Standing	No	500 /Bag/Pack, 10 Packs/Case	5000 /Case
81-0056	Tubes	0.5ml	47.5	Clear	Self-Standing	No	500 /Bag/Pack, 10 Packs/Case	5000 /Case
81-0154	Tubes	1.5ml	47.5	Clear	Self-Standing	No	500 /Bag/Pack, 10 Packs/Case	5000 /Case
81-0204	Tubes	2.0ml	47.5	Clear	Self-Standing	No	500 /Bag/Pack, 10 Packs/Case	5000 /Case
81-0205	Tubes	2.0ml	47.5	Brown	Self-Standing	No	500 /Bag/Pack, 10 Packs/Case	5000 /Case
81-0000	Caps	-	9.7	Clear	-	No	500 /Bag/Pack, 10 Packs/Case	5000 /Case
81-0001*	Caps	-	9.7	Pink	-	No	500 /Bag/Pack, 10 Packs/Case	5000 /Case
81-0002*	Caps	-	9.7	Green	-	No	500 /Bag/Pack, 10 Packs/Case	5000 /Case
81-0003*	Caps	-	9.7	Blue	-	No	500 /Bag/Pack, 10 Packs/Case	5000 /Case
81-0004*	Caps	-	9.7	Yellow	-	No	500 /Bag/Pack, 10 Packs/Case	5000 /Case
81-0005*	Caps	-	9.7	Assorted	-	No	500 /Bag/Pack, 10 Packs/Case	5000 /Case
81-0006	Caps	-	9.7	Brown	-	No	500 /Bag/Pack, 10 Packs/Case	5000 /Case

* Call for details.



>> Features

- Made of medical grade polypropylene; Autoclavable
- Can be repeatedly frozen and thawed
- Universal screw threads for use; Self-standing bottom
- Tubes fit most common rotors and standard 1-inch and 2-inch boxes
- Gamma radiation sterilized
- DNase & RNase free, endotoxin free, and human DNA free
- 81-8204 has a writing area and black graduation mark; 81-8154 has black graduation mark
- Autoclavable to 121 C and freezable to -86 C
- OEM service is available



81-7055



81-7056



81-8154



81-7205



81-8204

Cat #	Volume	Color	Height	Bottom	Writing Area	Sterile	Unit	Total
81-7055	0.5ml	Brown	47.5	Self-Standing	No	Yes	50 Pcs/Bag, 10 Bags/Pack, 4 Packs/Case	2000 Pcs/Case
81-7056	0.5ml	Clear	47.5	Self-Standing	No	Yes	50 Pcs/Bag, 10 Bags/Pack, 4 Packs/Case	2000 Pcs/Case
81-7154	1.5ml	Clear	47.5	Self-Standing	No	Yes	50 Pcs/Bag, 10 Bags/Pack, 4 Packs/Case	2000 Pcs/Case
81-7205	2.0ml	Brown	47.5	Self-Standing	No	Yes	50 Pcs/Bag, 10 Bags/Pack, 4 Packs/Case	2000 Pcs/Case
81-8204	2.0ml	Clear	47.5	Self-Standing	Yes	Yes	50 Pcs/Bag, 10 Bags/Pack, 4 Packs/Case	2000 Pcs/Case

Side-Coded Cryogenic Vials

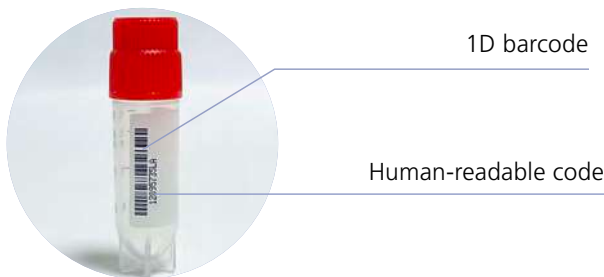


>> Features

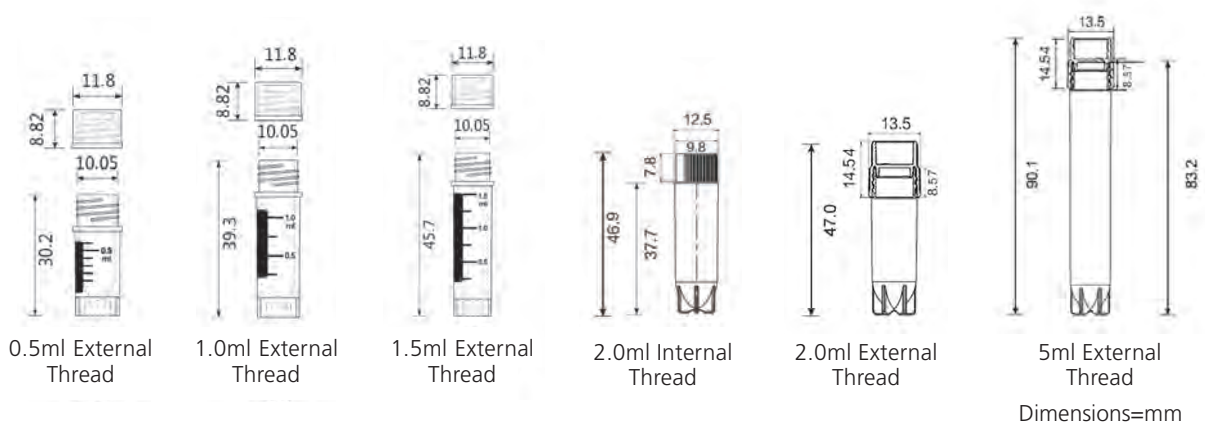
- Made of medical grade polypropylene; Autoclavable; and can be repeatedly frozen and thawed
- Volumes: 0.5ml, 1.0ml, 1.5ml, 2.0ml and 5.0ml
Colors: Vials with caps which are available in 7 colors
Bottom: Self-standing
- 2ml vials are available with both external and internal screw threads. External thread screw vials' caps have no O-ring, which reduces the contamination
- Fit standard 1in, 2in, and 3.75in cryogenic boxes
- Tubes with black graduation mark and white writing area
- Gamma radiations sterilized, RNase and DNase free, endotoxin free and foreign DNA free. Non-pyrogenic
- Pre-set 1D barcode and numbers on sides for immediate scanning

Specifications

- Working temperature: stable from -196°C to 121°C
- Suitable for liquid nitrogen freezing(vapor phase)



Inserts fit 2.0ml and 5.0ml vials' caps



CryoKING Multi-Coded Cryogenic Vials

Bottom



0.5ml External Thread



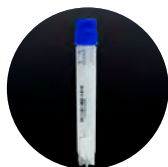
1.0ml External Thread



1.5ml External Thread



2.0ml External Thread



5.0ml External Thread



2.0ml Internal Thread



*Inserts fit 2.0ml and 5.0ml vial caps

Cat#	Volume	Thread Type	Color	Unit	Total
88-6050	0.5ml	External	White	25 Sets/ Bag, 20 Bags/Pack, 2 Packs/Case	1000 Sets/Case
88-6051	0.5ml	External	Red	25 Sets/ Bag, 20 Bags/Pack, 2 Packs/Case	1000 Sets/Case
88-6052	0.5ml	External	Green	25 Sets/ Bag, 20 Bags/Pack, 2 Packs/Case	1000 Sets/Case
88-6053	0.5ml	External	Blue	25 Sets/ Bag, 20 Bags/Pack, 2 Packs/Case	1000 Sets/Case
88-6054	0.5ml	External	Yellow	25 Sets/ Bag, 20 Bags/Pack, 2 Packs/Case	1000 Sets/Case
88-6055	0.5ml	External	Purple	25 Sets/ Bag, 20 Bags/Pack, 2 Packs/Case	1000 Sets/Case
88-6057	0.5ml	External	Clear	25 Sets/ Bag, 20 Bags/Pack, 2 Packs/Case	1000 Sets/Case
88-6100	1.0ml	External	White	25 Sets/ Bag, 20 Bags/Pack, 2 Packs/Case	1000 Sets/Case
88-6101	1.0ml	External	Red	25 Sets/ Bag, 20 Bags/Pack, 2 Packs/Case	1000 Sets/Case
88-6102	1.0ml	External	Green	25 Sets/ Bag, 20 Bags/Pack, 2 Packs/Case	1000 Sets/Case
88-6103	1.0ml	External	Blue	25 Sets/ Bag, 20 Bags/Pack, 2 Packs/Case	1000 Sets/Case
88-6104	1.0ml	External	Yellow	25 Sets/ Bag, 20 Bags/Pack, 2 Packs/Case	1000 Sets/Case
88-6105	1.0ml	External	Purple	25 Sets/ Bag, 20 Bags/Pack, 2 Packs/Case	1000 Sets/Case
88-6107	1.0ml	External	Clear	25 Sets/ Bag, 20 Bags/Pack, 2 Packs/Case	1000 Sets/Case
88-6150	1.5ml	External	White	25 Sets/ Bag, 20 Bags/Pack, 2 Packs/Case	1000 Sets/Case
88-6151	1.5ml	External	Red	25 Sets/ Bag, 20 Bags/Pack, 2 Packs/Case	1000 Sets/Case
88-6152	1.5ml	External	Green	25 Sets/ Bag, 20 Bags/Pack, 2 Packs/Case	1000 Sets/Case
88-6153	1.5ml	External	Blue	25 Sets/ Bag, 20 Bags/Pack, 2 Packs/Case	1000 Sets/Case
88-6154	1.5ml	External	Yellow	25 Sets/ Bag, 20 Bags/Pack, 2 Packs/Case	1000 Sets/Case
88-6155	1.5ml	External	Purple	25 Sets/ Bag, 20 Bags/Pack, 2 Packs/Case	1000 Sets/Case
88-6157	1.5ml	External	Clear	25 Sets/ Bag, 20 Bags/Pack, 2 Packs/Case	1000 Sets/Case

* Bottom

Cat#	Volume	Thread Type	Color	Unit	Total
88-6200	2.0ml	External	White	25 Sets/ Bag, 20 Bags/Pack, 2 Packs/Case	1000 Sets/Case
88-6201	2.0ml	External	Red	25 Sets/ Bag, 20 Bags/Pack, 2 Packs/Case	1000 Sets/Case
88-6202	2.0ml	External	Green	25 Sets/ Bag, 20 Bags/Pack, 2 Packs/Case	1000 Sets/Case
88-6203	2.0ml	External	Blue	25 Sets/ Bag, 20 Bags/Pack, 2 Packs/Case	1000 Sets/Case
88-6204	2.0ml	External	Yellow	25 Sets/ Bag, 20 Bags/Pack, 2 Packs/Case	1000 Sets/Case
88-6205	2.0ml	External	Purple	25 Sets/ Bag, 20 Bags/Pack, 2 Packs/Case	1000 Sets/Case
88-6207	2.0ml	External	Clear	25 Sets/ Bag, 20 Bags/Pack, 2 Packs/Case	1000 Sets/Case
88-6500	5.0ml	External	White	25 Sets/ Bag, 20 Bags/Pack, 2 Packs/Case	1000 Sets/Case
88-6501	5.0ml	External	Red	25 Sets/ Bag, 20 Bags/Pack, 2 Packs/Case	1000 Sets/Case
88-6502	5.0ml	External	Green	25 Sets/ Bag, 20 Bags/Pack, 2 Packs/Case	1000 Sets/Case
88-6503	5.0ml	External	Blue	25 Sets/ Bag, 20 Bags/Pack, 2 Packs/Case	1000 Sets/Case
88-6504	5.0ml	External	Yellow	25 Sets/ Bag, 20 Bags/Pack, 2 Packs/Case	1000 Sets/Case
88-6505	5.0ml	External	Purple	25 Sets/ Bag, 20 Bags/Pack, 2 Packs/Case	1000 Sets/Case
88-6507	5.0ml	External	Clear	25 Sets/ Bag, 20 Bags/Pack, 2 Packs/Case	1000 Sets/Case

Cat#	Volume	Thread Type	Color	Unit	Total
88-6210	2.0ml	Internal, O-ring	White	25 Sets/ Bag, 20 Bags/Pack, 2 Packs/Case	1000 Sets/Case
88-6211	2.0ml	Internal, O-ring	Red	25 Sets/ Bag, 20 Bags/Pack, 2 Packs/Case	1000 Sets/Case
88-6212	2.0ml	Internal, O-ring	Green	25 Sets/ Bag, 20 Bags/Pack, 2 Packs/Case	1000 Sets/Case
88-6213	2.0ml	Internal, O-ring	Blue	25 Sets/ Bag, 20 Bags/Pack, 2 Packs/Case	1000 Sets/Case
88-6214	2.0ml	Internal, O-ring	Yellow	25 Sets/ Bag, 20 Bags/Pack, 2 Packs/Case	1000 Sets/Case
88-6215	2.0ml	Internal, O-ring	Purple	25 Sets/ Bag, 20 Bags/Pack, 2 Packs/Case	1000 Sets/Case
88-6217	2.0ml	Internal, O-ring	Clear	25 Sets/ Bag, 20 Bags/Pack, 2 Packs/Case	1000 Sets/Case

Cat#	Color	Unit	Total
88-6000	White	100 Pcs/ Bag, 30 Bags/ Case	3000 Pcs/Case
88-6001	Red	100 Pcs/ Bag, 30 Bags/ Case	3000 Pcs/Case
88-6002	Green	100 Pcs/ Bag, 30 Bags/ Case	3000 Pcs/Case
88-6003	Blue	100 Pcs/ Bag, 30 Bags/ Case	3000 Pcs/Case
88-6004	Yellow	100 Pcs/ Bag, 30 Bags/ Case	3000 Pcs/Case
88-6005	Purple	100 Pcs/ Bag, 30 Bags/ Case	3000 Pcs/Case
88-6006	Assorted colors	100 Pcs/ Bag, 30 Bags/ Case	3000 Pcs/Case

CryoKING Multi-Coded Cryogenic Vials

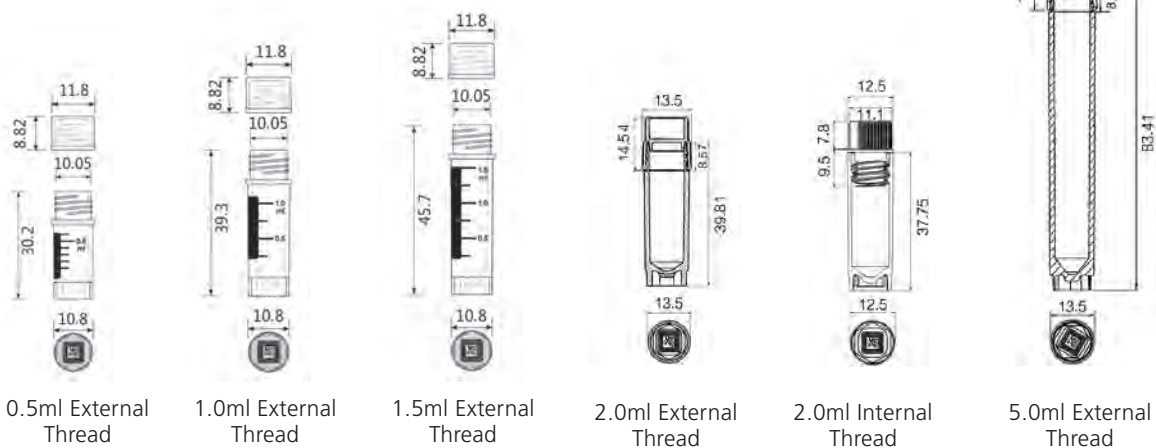


>> Features

- Made of medical grade polypropylene; Autoclavable; and can be repeatedly frozen and thawed
- Volumes: 0.5ml, 1.0ml, 1.5ml, 2.0ml and 5.0ml
Colors: Vials with caps which are available in 7 colors
Bottom: Self-standing
- 2ml vials are available with both external and internal screw threads. External thread vials' caps have no O-ring, which reduces the possibility of contamination
- Fit standard 1in, 2in and 3.75in cryogenic boxes
- Tubes with black graduation mark and white writing area
- Gamma radiations sterilized, RNase and DNase free, endotoxin free and foreign DNA free, non-pyrogenic
- Pre-set 1D barcode and Human-readable code on the side for visual identification, and can be read by various scanners
- Bulk vials and racked vials all available
- Vials with pre-set Datamatrix 2D barcode are available, and the 2D barcode can be customized

Specifications

- Working temperature: stable from -196°C to 121°C
- Suitable for liquid nitrogen freezing(vapor phase)



Dimensions = mm

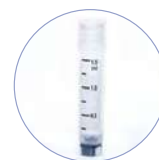
CryoKING Multi-Coded Cryogenic Vials



0.5ml External Thread, Bulk Vials



1.0ml External Thread, Bulk Vials



1.5ml External Thread, Bulk Vials

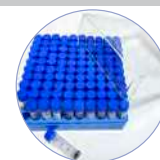
Cat#	Volume	Thread Type	Color	Unit	Total
88-9050	0.5ml	External	White	25 Sets/ Bag, 20 Bags/Pack, 2 Packs/Case	1000 Sets/Case
88-9051	0.5ml	External	Red	25 Sets/ Bag, 20 Bags/Pack, 2 Packs/Case	1000 Sets/Case
88-9052	0.5ml	External	Green	25 Sets/ Bag, 20 Bags/Pack, 2 Packs/Case	1000 Sets/Case
88-9053	0.5ml	External	Blue	25 Sets/ Bag, 20 Bags/Pack, 2 Packs/Case	1000 Sets/Case
88-9054	0.5ml	External	Yellow	25 Sets/ Bag, 20 Bags/Pack, 2 Packs/Case	1000 Sets/Case
88-9055	0.5ml	External	Purple	25 Sets/ Bag, 20 Bags/Pack, 2 Packs/Case	1000 Sets/Case
88-9057	0.5ml	External	Clear	25 Sets/ Bag, 20 Bags/Pack, 2 Packs/Case	1000 Sets/Case
88-9100	1.0ml	External	White	25 Sets/ Bag, 20 Bags/Pack, 2 Packs/Case	1000 Sets/Case
88-9101	1.0ml	External	Red	25 Sets/ Bag, 20 Bags/Pack, 2 Packs/Case	1000 Sets/Case
88-9102	1.0ml	External	Green	25 Sets/ Bag, 20 Bags/Pack, 2 Packs/Case	1000 Sets/Case
88-9103	1.0ml	External	Blue	25 Sets/ Bag, 20 Bags/Pack, 2 Packs/Case	1000 Sets/Case
88-9104	1.0ml	External	Yellow	25 Sets/ Bag, 20 Bags/Pack, 2 Packs/Case	1000 Sets/Case
88-9105	1.0ml	External	Purple	25 Sets/ Bag, 20 Bags/Pack, 2 Packs/Case	1000 Sets/Case
88-9107	1.0ml	External	Clear	25 Sets/ Bag, 20 Bags/Pack, 2 Packs/Case	1000 Sets/Case
88-9150	1.5ml	External	White	25 Sets/ Bag, 20 Bags/Pack, 2 Packs/Case	1000 Sets/Case
88-9151	1.5ml	External	Red	25 Sets/ Bag, 20 Bags/Pack, 2 Packs/Case	1000 Sets/Case
88-9152	1.5ml	External	Green	25 Sets/ Bag, 20 Bags/Pack, 2 Packs/Case	1000 Sets/Case
88-9153	1.5ml	External	Blue	25 Sets/ Bag, 20 Bags/Pack, 2 Packs/Case	1000 Sets/Case
88-9154	1.5ml	External	Yellow	25 Sets/ Bag, 20 Bags/Pack, 2 Packs/Case	1000 Sets/Case
88-9155	1.5ml	External	Purple	25 Sets/ Bag, 20 Bags/Pack, 2 Packs/Case	1000 Sets/Case
88-9157	1.5ml	External	Clear	25 Sets/ Bag, 20 Bags/Pack, 2 Packs/Case	1000 Sets/Case



0.5ml External Thread, Racked Vials



1.0ml External Thread, Racked Vials



1.5ml External Thread, Racked Vials

Cat#	Volume	Thread Type	Color	Wells	Dimensions(mm)	Unit	Total
89-9050	0.5ml Vials + 1 in Box	External	White	100 Wells	133X133X36	6 Bags/Pack, 2 Packs/Case	1200 Vials/Case
89-9051	0.5ml Vials + 1 in Box	External	Red	100 Wells	133X133X36	6 Bags/Pack, 2 Packs/Case	1200 Vials/Case
89-9052	0.5ml Vials + 1 in Box	External	Green	100 Wells	133X133X36	6 Bags/Pack, 2 Packs/Case	1200 Vials/Case
89-9053	0.5ml Vials + 1 in Box	External	Blue	100 Wells	133X133X36	6 Bags/Pack, 2 Packs/Case	1200 Vials/Case
89-9054	0.5ml Vials + 1 in Box	External	Yellow	100 Wells	133X133X36	6 Bags/Pack, 2 Packs/Case	1200 Vials/Case
89-9055	0.5ml Vials + 1 in Box	External	Purple	100 Wells	133X133X36	6 Bags/Pack, 2 Packs/Case	1200 Vials/Case
89-9057	0.5ml Vials + 1 in Box	External	Clear	100 Wells	133X133X36	6 Bags/Pack, 2 Packs/Case	1200 Vials/Case
89-9100	1.0ml Vials + 2 in Box	External	White	100 Wells	133X133X53	6 Bags/Pack, 2 Packs/Case	1200 Vials/Case
89-9101	1.0ml Vials + 2 in Box	External	Red	100 Wells	133X133X53	6 Bags/Pack, 2 Packs/Case	1200 Vials/Case
89-9102	1.0ml Vials + 2 in Box	External	Green	100 Wells	133X133X53	6 Bags/Pack, 2 Packs/Case	1200 Vials/Case
89-9103	1.0ml Vials + 2 in Box	External	Blue	100 Wells	133X133X53	6 Bags/Pack, 2 Packs/Case	1200 Vials/Case
89-9104	1.0ml Vials + 2 in Box	External	Yellow	100 Wells	133X133X53	6 Bags/Pack, 2 Packs/Case	1200 Vials/Case
89-9105	1.0ml Vials + 2 in Box	External	Purple	100 Wells	133X133X53	6 Bags/Pack, 2 Packs/Case	1200 Vials/Case
89-9107	1.0ml Vials + 2 in Box	External	Clear	100 Wells	133X133X53	6 Bags/Pack, 2 Packs/Case	1200 Vials/Case
89-9150	1.5ml Vials + 2 in Box	External	White	100 Wells	133X133X53	6 Bags/Pack, 2 Packs/Case	1200 Vials/Case
89-9151	1.5ml Vials + 2 in Box	External	Red	100 Wells	133X133X53	6 Bags/Pack, 2 Packs/Case	1200 Vials/Case
89-9152	1.5ml Vials + 2 in Box	External	Green	100 Wells	133X133X53	6 Bags/Pack, 2 Packs/Case	1200 Vials/Case
89-9153	1.5ml Vials + 2 in Box	External	Blue	100 Wells	133X133X53	6 Bags/Pack, 2 Packs/Case	1200 Vials/Case
89-9154	1.5ml Vials + 2 in Box	External	Yellow	100 Wells	133X133X53	6 Bags/Pack, 2 Packs/Case	1200 Vials/Case
89-9155	1.5ml Vials + 2 in Box	External	Purple	100 Wells	133X133X53	6 Bags/Pack, 2 Packs/Case	1200 Vials/Case
89-9157	1.5ml Vials + 2 in Box	External	Clear	100 Wells	133X133X53	6 Bags/Pack, 2 Packs/Case	1200 Vials/Case

CryoKING Multi-Coded Cryogenic Vials

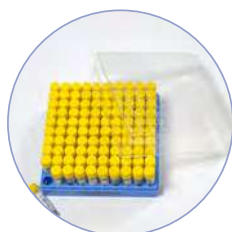


2.0ml External Thread,
Bulk Vials

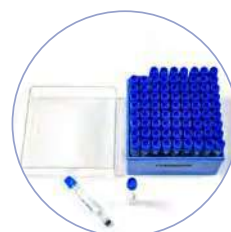


5.0ml External Thread,
Bulk Vials

Cat#	Volume	Thread Type	Color	Unit	Total
88-9200	2.0ml	External	White	25 Sets/Bag, 20 Bags/Pack, 2 Packs/Case	1000 Sets/Case
88-9201	2.0ml	External	Red	25 Sets/Bag, 20 Bags/Pack, 2 Packs/Case	1000 Sets/Case
88-9202	2.0ml	External	Green	25 Sets/Bag, 20 Bags/Pack, 2 Packs/Case	1000 Sets/Case
88-9203	2.0ml	External	Blue	25 Sets/Bag, 20 Bags/Pack, 2 Packs/Case	1000 Sets/Case
88-9204	2.0ml	External	Yellow	25 Sets/Bag, 20 Bags/Pack, 2 Packs/Case	1000 Sets/Case
88-9205	2.0ml	External	Purple	25 Sets/Bag, 20 Bags/Pack, 2 Packs/Case	1000 Sets/Case
88-9207	2.0ml	External	Clear	25 Sets/Bag, 20 Bags/Pack, 2 Packs/Case	1000 Sets/Case
88-9500	5.0ml	External	White	25 Sets/Bag, 20 Bags/Pack, 2 Packs/Case	1000 Sets/Case
88-9501	5.0ml	External	Red	25 Sets/Bag, 20 Bags/Pack, 2 Packs/Case	1000 Sets/Case
88-9502	5.0ml	External	Green	25 Sets/Bag, 20 Bags/Pack, 2 Packs/Case	1000 Sets/Case
88-9503	5.0ml	External	Blue	25 Sets/Bag, 20 Bags/Pack, 2 Packs/Case	1000 Sets/Case
88-9504	5.0ml	External	Yellow	25 Sets/Bag, 20 Bags/Pack, 2 Packs/Case	1000 Sets/Case
88-9505	5.0ml	External	Purple	25 Sets/Bag, 20 Bags/Pack, 2 Packs/Case	1000 Sets/Case
88-9507	5.0ml	External	Clear	25 Sets/Bag, 20 Bags/Pack, 2 Packs/Case	1000 Sets/Case



2.0ml External Thread,
Racked Vials



5.0ml External Thread,
Racked Vials

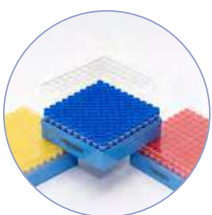
Cat#	Volume	Thread Type	Color	Wells	Dimensions(mm)	Unit	Total
89-9200	2.0ml Vials + 2 in Box	External	White	81 Wells	133X133X53	6 Bags/Pack, 2 Packs/Case	972 Vials/Case
89-9201	2.0ml Vials + 2 in Box	External	Red	81 Wells	133X133X53	6 Bags/Pack, 2 Packs/Case	972 Vials/Case
89-9202	2.0ml Vials + 2 in Box	External	Green	81 Wells	133X133X53	6 Bags/Pack, 2 Packs/Case	972 Vials/Case
89-9203	2.0ml Vials + 2 in Box	External	Blue	81 Wells	133X133X53	6 Bags/Pack, 2 Packs/Case	972 Vials/Case
89-9204	2.0ml Vials + 2 in Box	External	Yellow	81 Wells	133X133X53	6 Bags/Pack, 2 Packs/Case	972 Vials/Case
89-9205	2.0ml Vials + 2 in Box	External	Purple	81 Wells	133X133X53	6 Bags/Pack, 2 Packs/Case	972 Vials/Case
89-9207	2.0ml Vials + 2 in Box	External	Clear	81 Wells	133X133X53	6 Bags/Pack, 2 Packs/Case	972 Vials/Case
89-9220	2.0ml Vials + 2 in Box	External	White	100 Wells	136X136X53	6 Bags/Pack, 2 Packs/Case	1200 Vials/Case
89-9221	2.0ml Vials + 2 in Box	External	Red	100 Wells	136X136X53	6 Bags/Pack, 2 Packs/Case	1200 Vials/Case
89-9222	2.0ml Vials + 2 in Box	External	Green	100 Wells	136X136X53	6 Bags/Pack, 2 Packs/Case	1200 Vials/Case
89-9223	2.0ml Vials + 2 in Box	External	Blue	100 Wells	136X136X53	6 Bags/Pack, 2 Packs/Case	1200 Vials/Case
89-9224	2.0ml Vials + 2 in Box	External	Yellow	100 Wells	136X136X53	6 Bags/Pack, 2 Packs/Case	1200 Vials/Case
89-9225	2.0ml Vials + 2 in Box	External	Purple	100 Wells	136X136X53	6 Bags/Pack, 2 Packs/Case	1200 Vials/Case
89-9227	2.0ml Vials + 2 in Box	External	Clear	100 Wells	136X136X53	6 Bags/Pack, 2 Packs/Case	1200 Vials/Case
89-9500	5.0ml Vials + 3.75 in Box	External	White	81 Wells	133X133X95	6 Bags/Pack, 2 Packs/Case	972 Vials/Case
89-9501	5.0ml Vials + 3.75 in Box	External	Red	81 Wells	133X133X95	6 Bags/Pack, 2 Packs/Case	972 Vials/Case
89-9502	5.0ml Vials + 3.75 in Box	External	Green	81 Wells	133X133X95	6 Bags/Pack, 2 Packs/Case	972 Vials/Case
89-9503	5.0ml Vials + 3.75 in Box	External	Blue	81 Wells	133X133X95	6 Bags/Pack, 2 Packs/Case	972 Vials/Case
89-9504	5.0ml Vials + 3.75 in Box	External	Yellow	81 Wells	133X133X95	6 Bags/Pack, 2 Packs/Case	972 Vials/Case
89-9505	5.0ml Vials + 3.75 in Box	External	Purple	81 Wells	133X133X95	6 Bags/Pack, 2 Packs/Case	972 Vials/Case
89-9507	5.0ml Vials + 3.75 in Box	External	Clear	81 Wells	133X133X95	6 Bags/Pack, 2 Packs/Case	972 Vials/Case

CryoKING Multi-Coded Cryogenic Vials



2.0ml Internal Thread,
Bulk Vials

Cat#	Volume	Thread Type	Color	Unit	Total
88-9210	2.0ml	Internal, O-ring	White	25 Sets/Bag, 20 Bags/Pack, 2 Packs/Case	1000 Sets/Case
88-9211	2.0ml	Internal, O-ring	Red	25 Sets/Bag, 20 Bags/Pack, 2 Packs/Case	1000 Sets/Case
88-9212	2.0ml	Internal, O-ring	Green	25 Sets/Bag, 20 Bags/Pack, 2 Packs/Case	1000 Sets/Case
88-9213	2.0ml	Internal, O-ring	Blue	25 Sets/Bag, 20 Bags/Pack, 2 Packs/Case	1000 Sets/Case
88-9214	2.0ml	Internal, O-ring	Yellow	25 Sets/Bag, 20 Bags/Pack, 2 Packs/Case	1000 Sets/Case
88-9215	2.0ml	Internal, O-ring	Purple	25 Sets/Bag, 20 Bags/Pack, 2 Packs/Case	1000 Sets/Case
88-9217	2.0ml	Internal, O-ring	Clear	25 Sets/Bag, 20 Bags/Pack, 2 Packs/Case	1000 Sets/Case



2.0ml Internal
Thread, Racked Vials

Cat#	Volume	Thread Type	Color	Wells	Dimensions(mm)	Unit	Total
89-9210	2.0ml Vials + 2 in Box	Internal, O-ring	White	81 Wells	133X133X53	6 Bags/Pack, 2 Packs/Case	972 Vials/Case
89-9211	2.0ml Vials + 2 in Box	Internal, O-ring	Red	81 Wells	133X133X53	6 Bags/Pack, 2 Packs/Case	972 Vials/Case
89-9212	2.0ml Vials + 2 in Box	Internal, O-ring	Green	81 Wells	133X133X53	6 Bags/Pack, 2 Packs/Case	972 Vials/Case
89-9213	2.0ml Vials + 2 in Box	Internal, O-ring	Blue	81 Wells	133X133X53	6 Bags/Pack, 2 Packs/Case	972 Vials/Case
89-9214	2.0ml Vials + 2 in Box	Internal, O-ring	Yellow	81 Wells	133X133X53	6 Bags/Pack, 2 Packs/Case	972 Vials/Case
89-9215	2.0ml Vials + 2 in Box	Internal, O-ring	Purple	81 Wells	133X133X53	6 Bags/Pack, 2 Packs/Case	972 Vials/Case
89-9217	2.0ml Vials + 2 in Box	Internal, O-ring	Clear	81 Wells	133X133X53	6 Bags/Pack, 2 Packs/Case	972 Vials/Case
89-9230	2.0ml Vials + 2 in Box	Internal, O-ring	White	100 Wells	136X136X53	6 Bags/Pack, 2 Packs/Case	1200 Vials/Case
89-9231	2.0ml Vials + 2 in Box	Internal, O-ring	Red	100 Wells	136X136X53	6 Bags/Pack, 2 Packs/Case	1200 Vials/Case
89-9232	2.0ml Vials + 2 in Box	Internal, O-ring	Green	100 Wells	136X136X53	6 Bags/Pack, 2 Packs/Case	1200 Vials/Case
89-9233	2.0ml Vials + 2 in Box	Internal, O-ring	Blue	100 Wells	136X136X53	6 Bags/Pack, 2 Packs/Case	1200 Vials/Case
89-9234	2.0ml Vials + 2 in Box	Internal, O-ring	Yellow	100 Wells	136X136X53	6 Bags/Pack, 2 Packs/Case	1200 Vials/Case
89-9235	2.0ml Vials + 2 in Box	Internal, O-ring	Purple	100 Wells	136X136X53	6 Bags/Pack, 2 Packs/Case	1200 Vials/Case
89-9237	2.0ml Vials + 2 in Box	Internal, O-ring	Clear	100 Wells	136X136X53	6 Bags/Pack, 2 Packs/Case	1200 Vials/Case



Inserts fit 2.0ml and 5.0ml
vial caps

Cat#	Color	Unit	Total
88-6000	White	100 Pcs/ Bag, 30 Bags/ Case	3000 Pcs/Case
88-6001	Red	100 Pcs/ Bag, 30 Bags/ Case	3000 Pcs/Case
88-6002	Green	100 Pcs/ Bag, 30 Bags/ Case	3000 Pcs/Case
88-6003	Blue	100 Pcs/ Bag, 30 Bags/ Case	3000 Pcs/Case
88-6004	Yellow	100 Pcs/ Bag, 30 Bags/ Case	3000 Pcs/Case
88-6005	Purple	100 Pcs/ Bag, 30 Bags/ Case	3000 Pcs/Case
88-6006	Assorted colors	100 Pcs/ Bag, 30 Bags/ Case	3000 Pcs/Case

Automated Product Series of SBS Standards-Internal Thread



>> Features

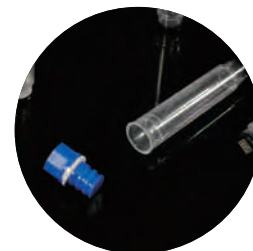
- 2D barcodes on 96-well format cryogenic vials are easy to be read
- 2D barcode and Human-readable code on the side of SBS format racks; 2D barcode at the bottom of racks, cryogenic vials and racks can be traced at the same time
- Simple and powerful mechanical locking function, slide the buttons on both sides to unlock
- Laser etched 2D barcodes, resistant to DMSO and other organic solvents
- SBS format rack fits 96-well format cryogenic vials perfectly for automatic operations

Specifications

- Working temperature: stable from -196°C to 121°C
- Suitable for liquid nitrogen freezing(vapor phase)



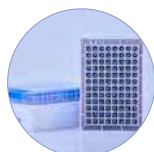
Bulk Vials



Cat#	Thread Type	Volume	Color	Bottom Barcode	Writing Area	Sterile	Unit	Total
88-4033	Internal	300µl	Blue	Yes	No	Yes	96 Sets/Bag, 10 Bags/Pack, 2 Packs/Case	1920 Sets/Case
88-4053	Internal	500µl	Blue	Yes	No	Yes	96 Sets/Bag, 10 Bags/Pack, 2 Packs/Case	1920 Sets/Case
88-4083	Internal	750µl	Blue	Yes	No	Yes	96 Sets/Bag, 10 Bags/Pack, 2 Packs/Case	1920 Sets/Case
88-4103	Internal	1000µl	Blue	Yes	No	Yes	96 Sets/Bag, 10 Bags/Pack, 2 Packs/Case	1920 Sets/Case

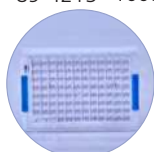


300µl & 500µl Internal Thread, Racked Vials



750µl & 1000µl Internal Thread, Racked Vials

Cat#	Description	Cap Color	Bottom Barcode	Side Barcode	Rack Well	Dimensions(mm)	Unit	Total
89-4233	300µl vials +rack	Blue	Yes	No	96-well, square	128x85x35	10 Bags/Pack, 2 Packs/Case	1920 Sets/Case
89-4253	500µl vials +rack	Blue	Yes	No	96-well, square	128x85x35	10 Bags/Pack, 2 Packs/Case	1920 Sets/Case
89-4283	750µl vials +rack	Blue	Yes	No	96-well, square	128x85x54	10 Bags/Pack, 2 Packs/Case	1920 Sets/Case
89-4213	1000µl vials +rack	Blue	Yes	No	96-well, square	128x85x54	10 Bags/Pack, 2 Packs/Case	1920 Sets/Case



SBS Format Cryogenic Racks

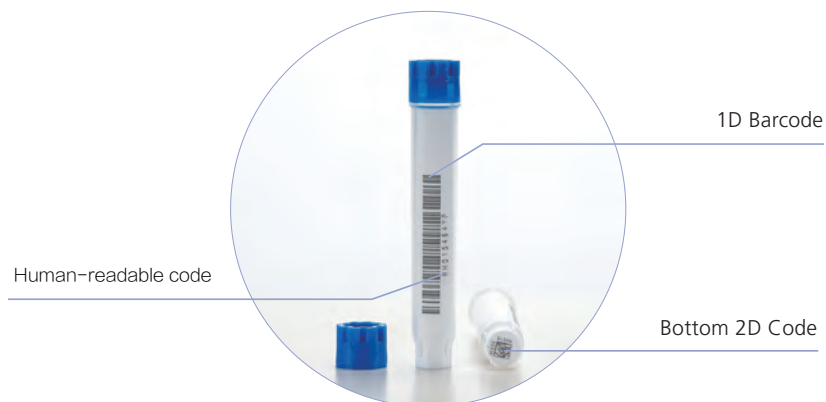
Cat#	Vial Volume	Color	Well	Dimensions(mm)	Unit	Total
98-4217	300µl & 500µl	White	96-well, square	128x85x35	10 Pcs/Pack, 2 Packs/Case	20 Pcs/Case
98-4227	750µl & 1000µl	White	96-well, square	128x85x54	10 Pcs/Pack, 2 Packs/Case	20 Pcs/Case

Automated Products Series of SBS Standards-External Thread



>> Features

- Vials: Made of medical grade polypropylene, 2-Color injection molding technique. Four codes on one vial: Bottom: Laser etched 2D code and human-readable codes; Side: Laser etched 1D barcode and human-readable codes.
- Racks: Side: Laser etched 1D barcode, 2D code, and human-readable codes; Bottom: 2D code. Pre-set alphanumeric marks for sample identification. Can be used with CKS-1301 CryoKING scanner to manager samples.
- 100,000 grade clean room enables safe vials.
- Gamma radiations sterilized; DNase & RNase free, endotoxin free, foreign DNA free.
- Stable from -196°C to 121°C, can be stored in vapor phase liquid nitrogen.
- Compatible with Micronic cappers & decappers and sample management system.



Automated Product Series of SBS Standards-External Thread



Sky blue



Lime green



Lavender purple

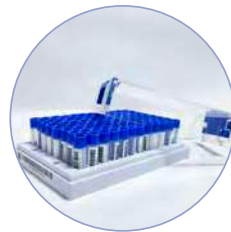


Biologix blue

1.4ml External Thread, Bulk Vials

0.75ml External Thread, Bulk Vials

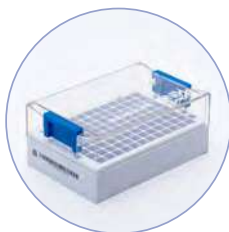
Cat#	Thread Type	Volume	Cap Color	Bottom Barcode	Side code	Sterile	Unit	Total
88-5141	External	1.4ml	Sky blue	Yes	Yes	Yes	96 Sets/Bag, 10 Bags/Pack, 2 Packs/Case	1920 Sets/Case
88-5142	External	1.4ml	Lime green	Yes	Yes	Yes	96 Sets/Bag, 10 Bags/Pack, 2 Packs/Case	1920 Sets/Case
88-5143	External	1.4ml	Biologix blue	Yes	Yes	Yes	96 Sets/Bag, 10 Bags/Pack, 2 Packs/Case	1920 Sets/Case
88-5145	External	1.4ml	Lavender purple	Yes	Yes	Yes	96 Sets/Bag, 10 Bags/Pack, 2 Packs/Case	1920 Sets/Case
88-5081	External	0.75ml	Sky blue	Yes	Yes	Yes	96 Sets/Bag, 10 Bags/Pack, 2 Packs/Case	1920 Sets/Case
88-5082	External	0.75ml	Lime green	Yes	Yes	Yes	96 Sets/Bag, 10 Bags/Pack, 2 Packs/Case	1920 Sets/Case
88-5083	External	0.75ml	Biologix blue	Yes	Yes	Yes	96 Sets/Bag, 10 Bags/Pack, 2 Packs/Case	1920 Sets/Case
88-5085	External	0.75ml	Lavender purple	Yes	Yes	Yes	96 Sets/Bag, 10 Bags/Pack, 2 Packs/Case	1920 Sets/Case



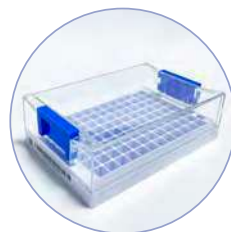
1.4ml External Thread, Racked Vials

0.75ml External Thread, Racked Vials

Cat#	Description	Cap Color	Bottom Barcode	Side code	Rack Well	Dimensions (mm)	Unit	Total
89-5141	1.4ml vials +rack	Sky blue	Yes	Yes	96-well, square	128x85x56	10 Bags/Pack, 2 Packs/Case	1920 Sets/Case
89-5142	1.4ml vials +rack	Lime green	Yes	Yes	96-well, square	128x85x56	10 Bags/Pack, 2 Packs/Case	1920 Sets/Case
89-5143	1.4ml vials +rack	Biologix blue	Yes	Yes	96-well, square	128x85x56	10 Bags/Pack, 2 Packs/Case	1920 Sets/Case
89-5145	1.4ml vials +rack	Lavender purple	Yes	Yes	96-well, square	128x85x56	10 Bags/Pack, 2 Packs/Case	1920 Sets/Case
89-5081	0.75ml vials+rack	Sky blue	Yes	Yes	96-well, square	128x85x41	10 Bags/Pack, 2 Packs/Case	1920 Sets/Case
89-5082	0.75ml vials+rack	Lime green	Yes	Yes	96-well, square	128x85x41	10 Bags/Pack, 2 Packs/Case	1920 Sets/Case
89-5083	0.75ml vials+rack	Biologix blue	Yes	Yes	96-well, square	128x85x41	10 Bags/Pack, 2 Packs/Case	1920 Sets/Case
89-5085	0.75ml vials+rack	Lavender purple	Yes	Yes	96-well, square	128x85x41	10 Bags/Pack, 2 Packs/Case	1920 Sets/Case



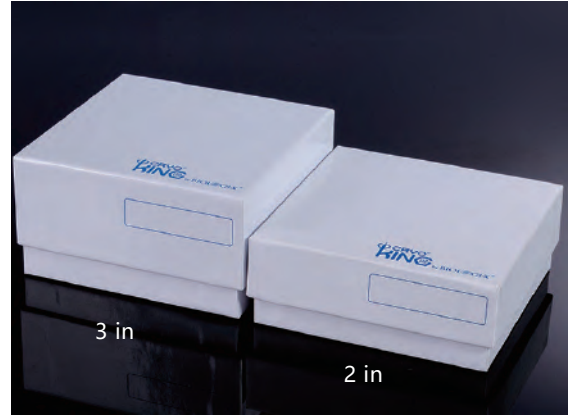
Racks for 1.4ml vials



Racks for 0.75ml vials

Cat#	Vial Volume	Color	Well	Dimensions (mm)	Unit	Total
98-5227	1.4ml	White	96-well, square	128x85x56	10 Pcs/Pack, 2 Packs/Case	20 Pcs/Case
98-5327	0.75ml	White	96-well, square	128x85x41	10 Pcs/Pack, 2 Packs/Case	20 Pcs/Case

Premium Cardboard Cryogenic Boxes



>> Features

- Made of durable cardboard with superior white outer coating
- Chemically resistant to alcohols and mild organic solvents
- Five assorted colors available: white, yellow, pink, blue, and green
- White premium cardboard freezer boxes have a glossy coating, other colors have a matte coating
- Water resistant coating for improved durability
- Superior white 90-1281 & 90-1200 cardboard cryogenic boxes without outer coating are also available
- Holds 0.5ml, 1.5ml, 2.0ml, 5ml and 10ml microtubes and 15ml or 50ml Centrifuge Tubes

Specifications

- Working temperature: stable from -196°C to 121°C
- Suitable for liquid nitrogen freezing(vapor phase)



Label area



Cat #	Height	Wells	Color	Coating	Dimensions (mm)	Unit	Total
90-1200	2 in	100-well	White	No	132 x 132 x 53	5 Pcs/Bag, 20 Bags/Case	100 Pcs/Case
90-1281	2 in	81-well	White	No	132 x 132 x 53	5 Pcs/Bag, 20 Bags/Case	100 Pcs/Case
90-1300	3 in	100-well	White	No	133 x 133 x 76	5 Pcs/Bag, 20 Bags/Case	100 Pcs/Case
90-1381	3 in	81-well	White	No	133 x 133 x 76	5 Pcs/Bag, 20 Bags/Case	100 Pcs/Case
90-2281	2 in	81-well	White	Plastic coating	133 x 133 x 53	5 Pcs/Bag, 20 Bags/Case	100 Pcs/Case
90-2200	2 in	100-well	White	Plastic coating	133 x 133 x 53	5 Pcs/Bag, 20 Bags/Case	100 Pcs/Case
90-5281	2 in	81-well	Assorted color	Matte coating	133 x 133 x 53	5 Pcs/Bag, 20 Bags/Case	100 Pcs/Case
90-5200	2 in	100-well	Assorted color	Matte coating	133 x 133 x 53	5 Pcs/Bag, 20 Bags/Case	100 Pcs/Case
90-2381	3 in	81-well	White	Plastic coating	133 x 133 x 76	5 Pcs/Bag, 20 Bags/Case	100 Pcs/Case
90-2300	3 in	100-well	White	Plastic coating	133 x 133 x 76	5 Pcs/Bag, 20 Bags/Case	100 Pcs/Case
90-5016	-	16-well	White	No	For 50ml tubes	5 Pcs/Bag, 20 Bags/Case	100 Pcs/Case
90-1536	-	36-well	White	No	For 15ml tubes	5 Pcs/Bag, 20 Bags/Case	100 Pcs/Case

ID-Color™ Cardboard Cryogenic Boxes

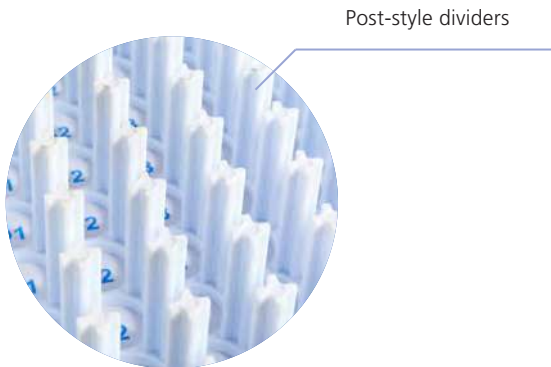


>> Features

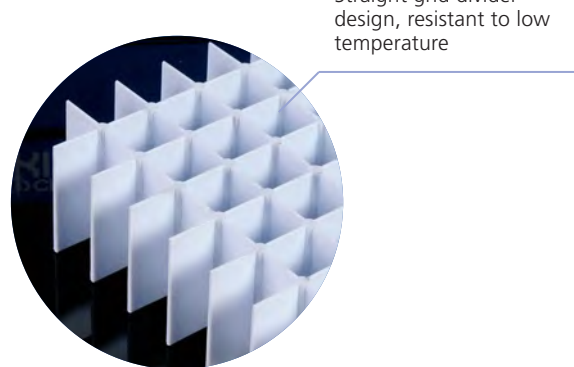
- Made of durable cardboard with a waterproof coating and polypropylene dividers
- Connected lid design ensures that lids are never misplaced or mixed up
- Alphanumeric labeling featured on the lid, bottom and four sides enables quick and easy identification of samples
- Holds 0.5ml/1.5ml/2.0ml/5.0ml microtubes and cryogenic vials

Specifications

- Working temperature: stable from -86°C to 121°C
- Suitable for liquid nitrogen freezing(vapor phase)



Post-style dividers



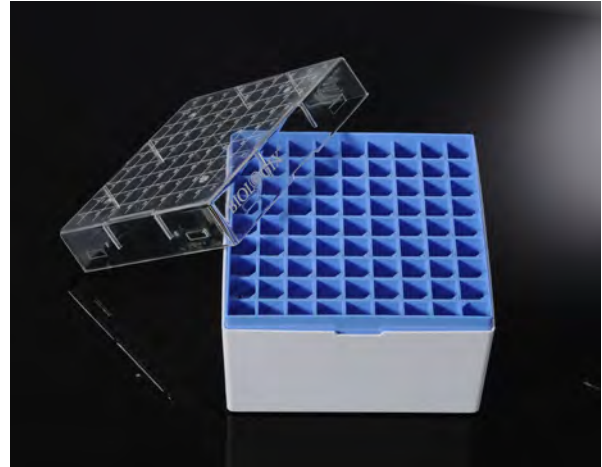
Straight grid divider design, resistant to low temperature

Cat #	Height	Well	Color	Divider Material	Divider Type	Dimensions (mm)	Unit	Total
90-8100	1in	100-well	Blue	PP	post-style	133 x 133 x 36	5 Pcs/Bag, 4 Bags/Case	20 /Case
90-8281	2in	81-well	Assorted color	PP	straight grid	133 x 133 x 53	5 Pcs/Bag, 4 Bags/Case	20 /Case
90-8200	2in	100-well	Blue	PP	post-style	133 x 133 x 53	5 Pcs/Bag, 4 Bags/Case	20 /Case
90-8381	3.75in	81-well	Assorted color	PP	straight grid	133 x 133 x 95	5 Pcs/Bag, 4 Bags/Case	20 /Case

*1in boxes fit for 0.5ml vials

*2in boxes fit for 1.5ml, 2.0ml vials

*3.75in boxes fit for 5.0ml vials

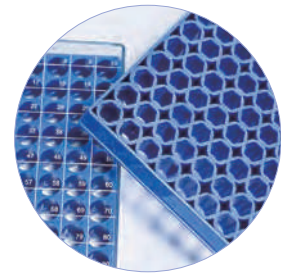
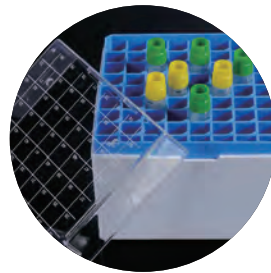
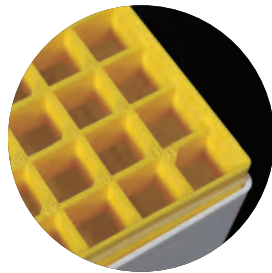


>> Features

- Made of tough polycarbonate, chemically resistant to alcohols and mild organic solvents
- Can be repeatedly frozen and thawed
- 5x5 (25-well), 9x9 (81-well), or 10x10 (100-well) boxes available
- Compatible with 0.5ml, 1.5ml, 2.0ml or 5.0ml microtubes and cryogenic vials
- Numbered grids for sample identification
- Drain holes and air vents minimize condensation
- Five assorted colors available

Specifications

- Suitable for storage in freezers or liquid nitrogen(vapor phase)
- Working temperature: stable from -196°C to 121°C



Numbers for convenient sample organization

98-series, bottom holes for bottom coded vials

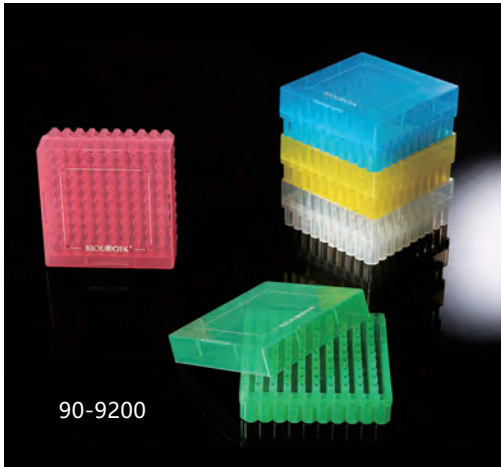
Cat #	Height	Wells	Color	Dimensions (mm)	Unit	Total
90-9009	2 in	81-well	Assorted Colors	133x133x53	5 Pcs/Bag, 4 Bags/Case	20 /Case
90-9210	2 in	100-well	Assorted Colors	133x133x53	5 Pcs/Bag, 4 Bags/Case	20 /Case
90-9250	2 in	25-well	Assorted Colors	75x75x53	5 Pcs/Bag, 6 Bags/Case	30 /Case
90-9381	3.75 in	81-well	Assorted Colors	133x133x95	5 Pcs/Bag, 4 Bags/Case	20 /Case
98-0113	1 in	100-well	Blue	133x133x36	3 Pcs/Bag, 4 Bags/Case	12 /Case
98-0200	2 in	100-well	Blue	136x136x53	3 Pcs/Bag, 4 Bags/Case	12 /Case
98-0213	2 in	100-well	Blue	133x133x53	3 Pcs/Bag, 4 Bags/Case	12 /Case
98-0313	3.75 in	81-well	Blue	133x133x95	3 Pcs/Bag, 4 Bags/Case	12 /Case
98-1213	2 in	81-well	Blue	133x133x53	3 Pcs/Bag, 4 Bags/Case	12 /Case

*1in boxes fit for 0.5ml vials

*2in boxes fit for 1.5ml,2.0ml vials

*3.75in boxes fit for 5.0ml vials

PP Cryogenic Boxes

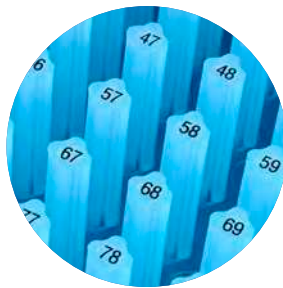
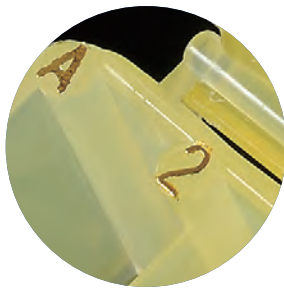


>> Features

- Made of polypropylene, chemically resistant to alcohols and mild organic solvents
- Can be repeatedly frozen and thawed
- 5x5 (25-well), 9x9 (81-well), or 10x10 (100-well) boxes available
- Compatible with 0.5ml, 1.5ml or 2.0ml microtubes and cryogenic vials
- Numbered grids for sample identification
- Drain holes and air vents minimize condensation
- Five assorted colors available

Specifications

- Suitable for storage in freezers
- Working temperature: stable from -86°C to 121°C



Numbers for convenient sample organization

Cat #	Height	Wells	Color	Dimensions (mm)	Unit	Total
90-9025	2 in	25-well	Assorted Colors	75 x 75 x 53	5 Pcs/Bag, 6 Bags/Case	30 /Case
90-9081	2 in	81-well	Assorted Colors	133 x 133 x 53	5 Pcs/Bag, 4 Bags/Case	20 /Case
90-9100	2 in	100-well	Assorted Colors	141 x 154 x 55	5 Pcs/Bag, 4 Bags/Case	20 /Case
90-9200	2 in	100-well	Assorted Colors	133 x 133 x 53	5 Pcs/Bag, 4 Bags/Case	20 /Case



Sliding Drawer Freezer Racks

- Made of corrosion-resistant stainless steel or aluminium alloy
- Ideal for storage of 1 inch and 2 inch standard size cryogenic boxes
- Fits most standard upright freezers
- Sliding Drawer Freezer Racks include folded rails to reduce frost
- Flanging design reduces scratching
- Handle design enables easy removal from the shelf
- Colored labels for drawer/sample identification
- Can be customized



Frame Type Freezer Racks

- Made of corrosion-resistant stainless steel or aluminium alloy
- Ideal for storage of 1 inch and 2 inch standard size cryogenic boxes
- Fits most standard upright freezers
- Simple structure and lightweight design helps manage cryogenic boxes efficiently
- Can be customized



Side Access Drawer Freezer Racks

- Made of corrosion-resistant stainless steel
- Ideal for storage of 1 inch and 2 inch standard size cryogenic boxes
- Fits most standard upright freezers
- Can be customized



Vertical Type Freezer Racks

- Made of corrosion-resistant stainless steel or aluminium alloy
- Ideal for storage of 1 inch and 2 inch standard size cryogenic boxes
- Fits most standard horizontal freezers
- Especially suitable for liquid nitrogen freezing
- Can be customized



Sliding Side Drawer Freezer Racks

- Made of high-performance aluminum alloy
- Light weight, convenient operation, and elegant appearance
- Ideal for storage of 1 inch and 2 inch cryogenic boxes and standard freezers
- Handle design enables easy removal from the shelf
- Flanging design reduces scratching
- Can be customized



CryoKING Handheld Scanner

- Infrared scanning individual cryogenic vials to identify barcodes and 2D barcodes accurately
- Ergonomic handheld design
- Compatible with CryoKING Crown biobanking management software
- Collect sample information rapidly and accurately
- USB interface

Cat #	Description	Scan Type
CKS-0101	Wired Handheld Scanner Gun	Individual Vial

CryoKING Scanner-3.0

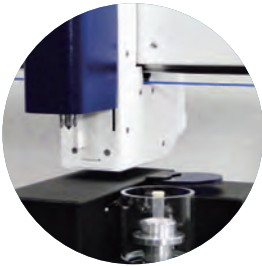
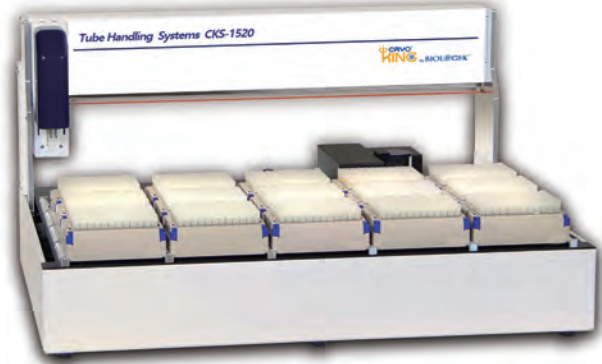
CryoKING scanner-3.0 is a high-speed camera-based barcode scanner designed for biobanks and ultra-low temperature (-20°C) cryobox scanning. It captures the human-readable barcode and bottom barcode and provides 2D data output in a variety of options for your database.

>> Features

- Scans one rack in less than 3 seconds; Camera-based decoding technology
- Project based workflow for easy rack type changes
- Detects missing tubes, advanced error handling options
- Integration friendly design; Rack orientation sensor included
- Working temperature: -4°F to 95°F (-20°C to 35°C)
- SDK toolkit for integration projects is available



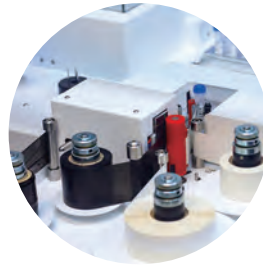
Cat#	Dimension	Weight
CKS-1301	8.25" D x 6.25" W x 11.5" H 21 cm x 16 cm x 29 cm	8 lbs.(3.68kg)
Electrical: 100-240VAC~50/60Hz, 1.25A; Universal power supply with US, UK, Euro, or user specified.		
Environment: -4°F to 95°F (-20°C to 35°C).		
System Requirements: Windows 10, 8, 7, Vista; USB 2.0 port(s). Two USB ports.		
CryoKING Scanner 3.0 Includes a 1 Year Warranty.		



Weigh Tubes



Re-array, reformat tubes



Label Printing and Application



Decode 2D barcodes

Cat #	Capacity	Modules	Dimensions (mm)	Weight
CKS-1520	20 SBS Racks	Standard: Re-array, reformat tubes; Decode 2D barcodes, weigh tubes	72 x 53 x 40 cm	27 kg
CKS-152X	20 SBS Racks	Optional: Level check, DMSO hydration check, label, enclosure	Depend on modules	Depend on modules



Customized Solutions
Professional Consulting Service
Efficient After-sale Service

CryoKING Crown Biobanking Management Software

CryoKING Crown biobanking management software offers two data storage solutions: Public Cloud and Private Cloud. The convenient operation, visual interface, and standard biobanking procedures enable convenient, standard and traceable biobanking management. CryoKING Crown is an optimal choice for biobanking management, query or statistic in scientific research.

>> Features

- Web/Server structure enables the direct access with the browser
- Visual sample management
- Auto alarming settings
- Convenient information query
- Efficient approval settings
- Batch import of sample information

Low Temperature Freezers



Suitable for blood banks, hospitals, sanitation and antiepidemic stations and clinics, electronic industries, university laboratories, military industries, pelagic fishery companies, and drugstores.

-164°C Ecryo Freezer

-152°C /-135°C /-105°C Cryo Freezer

-86°C Ultra Low Freezer

-86°C Ultra Low Freezer

-40°C Ultra Low Freezer

-25°C Medical Freezer

Combined Refrigerator &Freezer

2 ~ 8°C Medical Refrigerator

4°C Blood Bank Refrigerator





Made of high quality stainless steel or durable aluminum; intelligent monitoring system and multi alarms to ensure the safety of samples. Different types can be chosen according to different storage requirements.

Filling Series

Transport Series

Air Transport Series

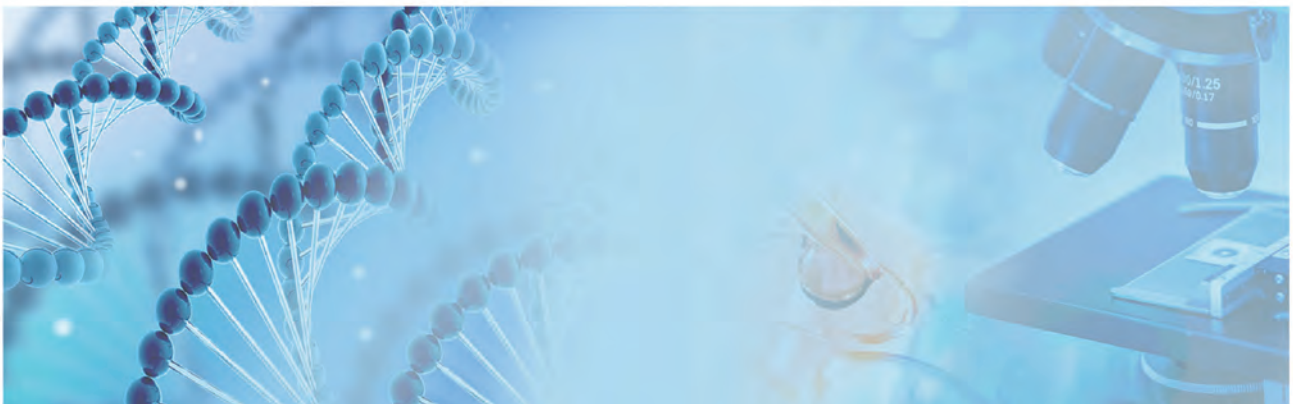
Special Transport Series

Static Storage Series

Biobank Series

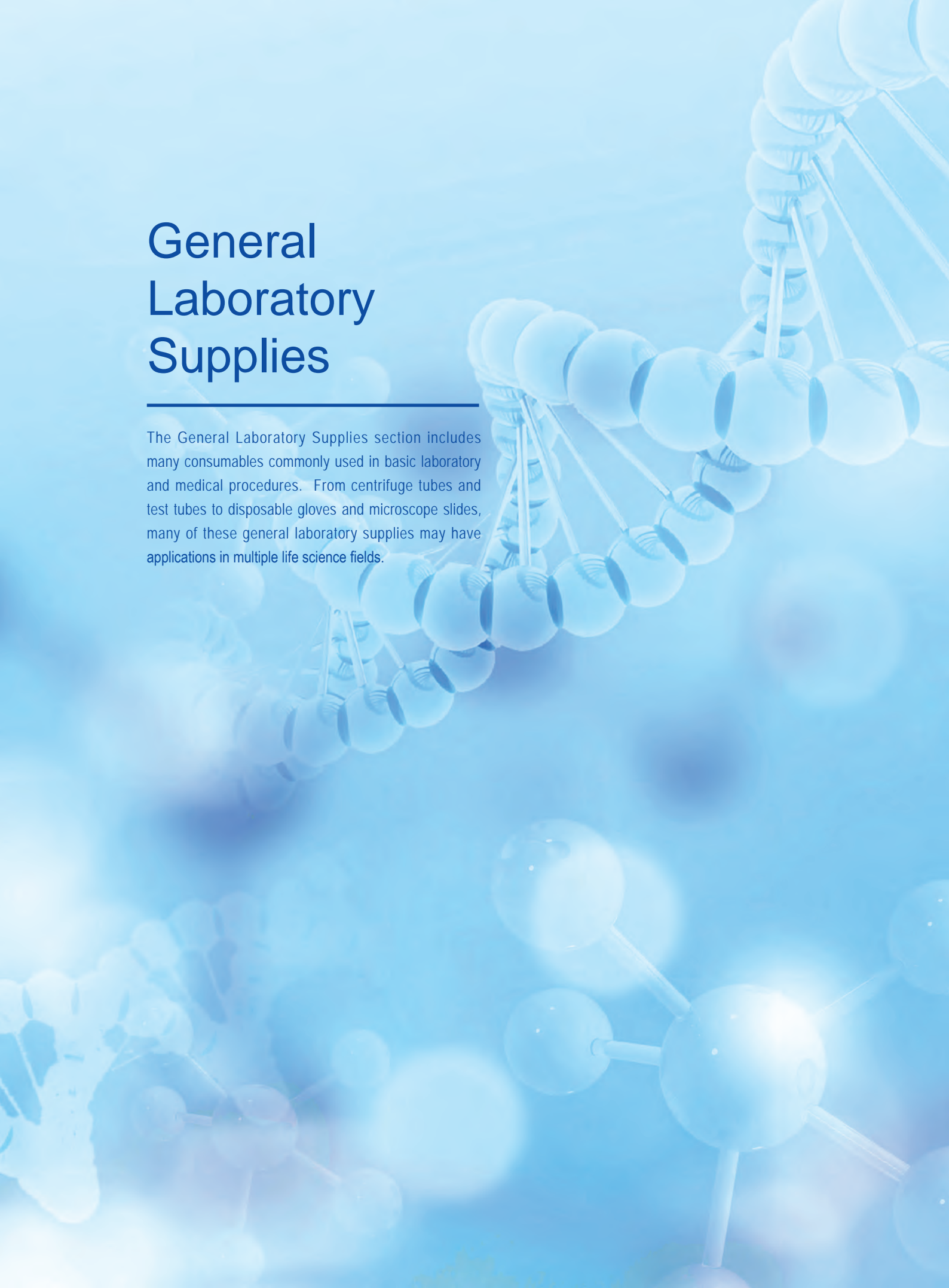
Portable Dewar Series

Laboratory Series



General Laboratory Supplies

The General Laboratory Supplies section includes many consumables commonly used in basic laboratory and medical procedures. From centrifuge tubes and test tubes to disposable gloves and microscope slides, many of these general laboratory supplies may have applications in multiple life science fields.





>> Features

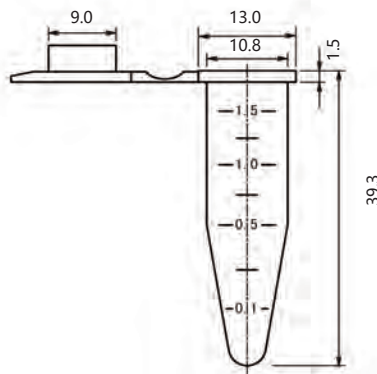
- Made of high quality medical grade polypropylene
- Transparent tube walls permit easy viewing of contents
- Beveled lip for convenient one-handed operation
- Writing area and attached flat cap for labeling

Specifications

- Working temperature: stable from -20°C to 121°C
- Can withstand high speed centrifugation of 20,000 G



80-0015

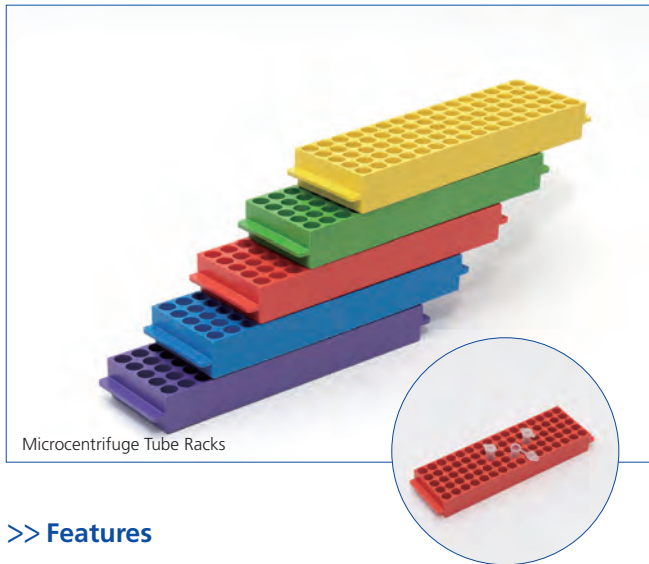


Dimensions = mm

Cat #	Volume	Color	Sterile	RNase & DNase free	Unit	Total
80-0500	0.5ml	Clear	No	Yes	500 /Bag/Pack, 10 Packs/Case	5000 /Case
80-0015	1.5ml	Clear	No	Yes	500 /Bag/Pack, 10 Packs/Case	5000 /Case
80-1500	1.5ml	Clear	No	Yes	500 /Bag/Pack, 10 Packs/Case	5000 /Case
80-1500-S	1.5ml	Clear	Yes	Yes	500 /Bag/Pack, 10 Packs/Case	5000 /Case
80-0020	2.0ml	Clear	No	Yes	500 /Bag/Pack, 10 Packs/Case	5000 /Case
80-1501*	1.5ml	Red	No	Yes	500 /Bag/Pack, 10 Packs/Case	5000 /Case
80-1502*	1.5ml	Yellow	No	Yes	500 /Bag/Pack, 10 Packs/Case	5000 /Case
80-1503*	1.5ml	Blue	No	Yes	500 /Bag/Pack, 10 Packs/Case	5000 /Case

* Call for details

Centrifuge Tube Racks



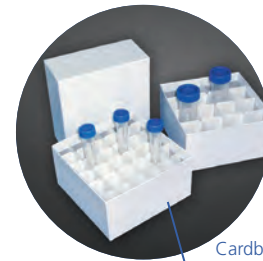
>> Features

Microcentrifuge Tube Racks

- Made of high strength plastic, chemically resistant to alcohols and mild organic solvents
- Writing area on side of rack for easy marking
- Handles on each end for secure handling
- 5×16 array, 80 wells, molded with a numeric grid for easy tube identification
- Fit for 1.5ml, 2.0ml microcentrifuge tubes and screw cap tubes

PP Centrifuge Tube Racks

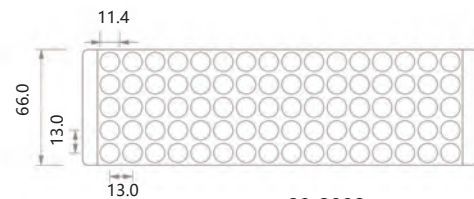
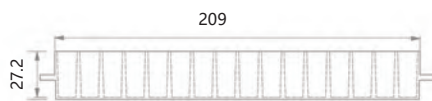
- Made of high quality medical grade polypropylene
- 50-well racks hold 15ml centrifuge tubes
- 25-well racks hold 50ml centrifuge tubes
- Sturdy design keeps tubes upright



Cardboard Centrifuge Tube Rack
Working temperature:
from -196 °C to 121°C

Cardboard Centrifuge Tube Racks

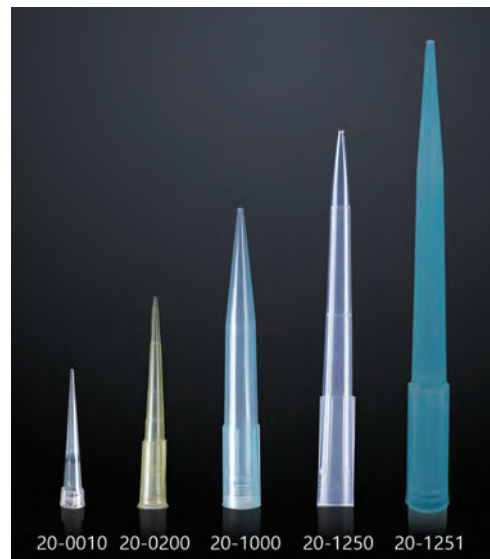
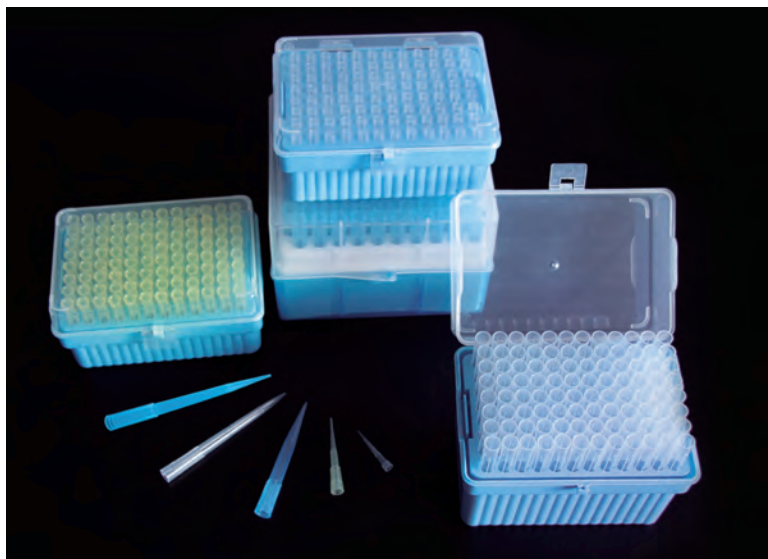
- Made of durable cardboard with superior white coating, chemically resistant to alcohols and mild organic solvents
- 36-well racks for 15ml centrifuge tubes, 16-well racks for 50ml centrifuge tubes
- Removable lid features a lined writing area



90-8009

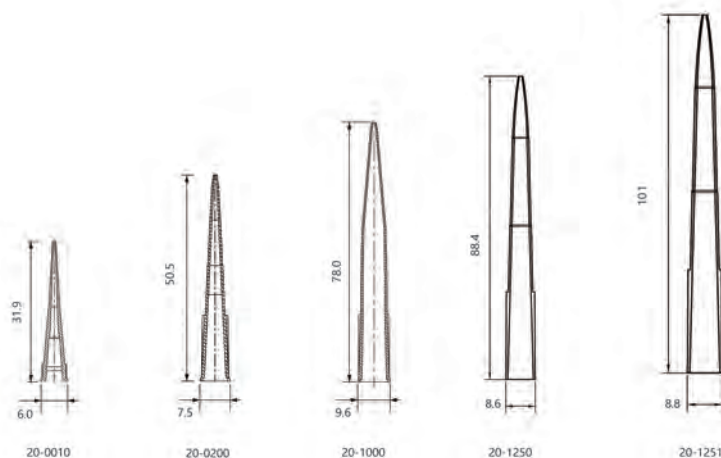
Dimensions = mm

Cat #	Well	Color	Sterile	Unit	Total
90-8009	80-well	Assorted Colors	No	5 /Bag, 4 Bags/Case	20 /Case
90-1536	36-well	White	No	5 /Bag, 20 Bags/Case	100 /Case
90-5016	16-well	White	No	5 /Bag, 20 Bags/Case	100 /Case
90-1550	50-well	Blue	No	1 /Bag, 20 Bags/Case	20 /Case
90-5025	25-well	Blue	No	1 /Bag, 20 Bags/Case	20 /Case



>> Features

- Made of polypropylene, autoclavable
- Available in 10µl, 200µl and 1000µl sizes, suitable for standard manual and electronic pipettes
- 10µl and 200µl tips are graduated, 200µl tips have a beveled point design that reduces sample retention
Extended 1000µl tips facilitate pipetting from deep or narrow containers
- RNase & DNase free, non-pyrogenic
- Available in racked package (sterile) and bulk package (non-sterile)



Dimensions = mm

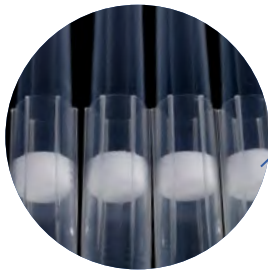
Cat #	Volume	Color	Sterile	Unit	Total
20-0010	10µl	Natural	No	1,000 /Bag, 2 Bags /Pack, 5 Packs/Case	10000 /Case
21-0010	10µl	Natural	Yes	96 /Rack, 10 Racks/Pack, 10 Packs/Case	9600 /Case
20-0200	200µl	Yellow	No	1,000 /Bag/Pack, 10 Packs/Case	10000 /Case
21-0200	200µl	Yellow	Yes	96 /Rack, 10 Racks/Pack, 10 Packs/Case	9600 /Case
20-1000	1000µl	Blue	No	1,000 /Bag/Pack, 10 Packs/Case	10000 /Case
21-1000	1000µl	Blue	Yes	100 /Rack, 6 Racks/Pack, 10 Packs/Case	6000 /Case
20-1250	1000µl Extended	Natural	No	1,000 /Bag/Pack, 10 Packs/Case	10000 /Case
21-1250	1000µl Extended	Natural	Yes	96 /Rack, 6 Racks/Pack, 10 Packs/Case	5760 /Case
20-1251	1000µl Extra-Long	Blue	No	1,000 /Bag/Pack, 10 Packs/Case	10000 /Case

Filter Tips

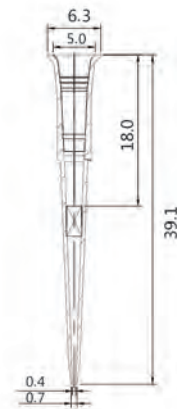


>> Features

- Tips are made of medical grade polypropylene, and filters are made of highly hydrophobic UHMWPE
- Filters prevent cross-contamination and damage to samples, ensure accurate and precise sample aspiration, and protect the user by preventing sample liquid or vapor from entering the pipette body
- Standard filter tips and low retention filter tips available in all sizes
- Low retention treated tips undergo a coating-free treatment and will not contaminate samples
- All filter tips are autoclavable
- Available in racked package (sterile) and bulk package (non-sterile)
- RNase & DNase free, non-pyrogenic



Small and uniform filter pore size ensures the accuracy and precision of sample aspiration



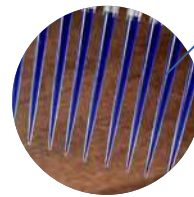
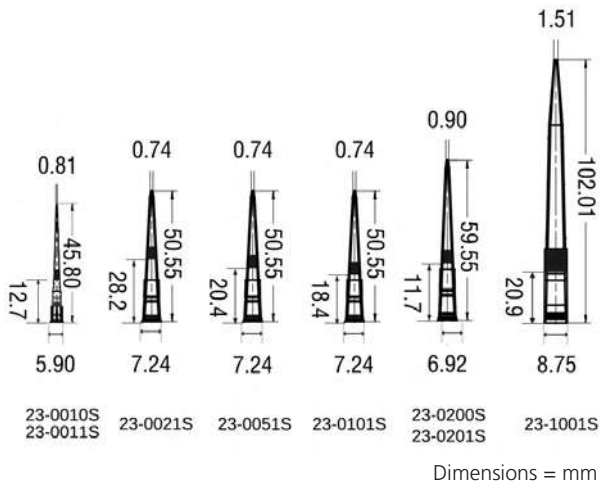
10µl Dimensions=mm

Cat #	Volume	Color	Sterile	Low Retention	Unit	Total
22-0010	10µl	Natural	No	No	1,000 /Bag, 2 Bags/Pack, 5 Packs /Case	10000 /Case
22-0011	10µl	Natural	No	Yes	1,000 /Bag, 2 Bags/Pack, 5 Packs /Case	10000 /Case
23-0010	10µl	Natural	Yes	No	96 /Rack, 10 Racks/Pack, 10 Packs/Case	9600 /Case
23-0011	10µl	Natural	Yes	Yes	96 /Rack, 10 Racks/Pack, 10 Packs/Case	9600 /Case
22-0200	200µl	Natural	No	No	1,000 /Bag/Pack, 10 Packs /Case	10000 /Case
22-0201	200µl	Natural	No	Yes	1,000 /Bag/Pack, 10 Packs /Case	10000 /Case
23-0200	200µl	Natural	Yes	No	96 /Rack, 10 Racks/Pack, 10 Packs/Case	9600 /Case
23-0201	200µl	Natural	Yes	Yes	96 /Rack, 10 Racks/Pack, 10 Packs/Case	9600 /Case
22-1000	1000µl	Natural	No	No	1,000 /Bag/Pack, 10 Packs /Case	10000 /Case
22-1001	1000µl	Natural	No	Yes	1,000 /Bag/Pack, 10 Packs /Case	10000 /Case
23-1000	1000µl	Natural	Yes	No	96 /Rack, 6 Racks/Pack, 10 Packs/Case	5760 /Case
23-1001	1000µl	Natural	Yes	Yes	96 /Rack, 6 Racks/Pack, 10 Packs/Case	5760 /Case



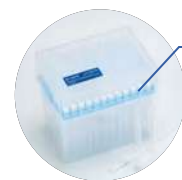
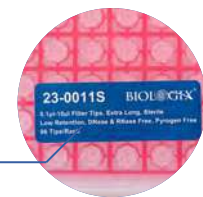
>> Features

- Made in Bioclean room
- Extremely straight low retention tips ensure accurate and precise sample
- Extra-long tips: 10µl with max volume 20µl, 200µl with max volume 300µl, and 1000µl with max volume 1250µl
- Racked filter tips, sterile
- DNase & RNase free, non-pyrogenic



Extremely straight tips

User-friendly label on the tip rack



Clear racks enable convenient observation of tips

Cat #	Volume	Color	Sterile	Low Retention	Unit	Total
23-0010S	10µl Extended	Natural	Yes	No	96 Pieces/Rack, 50 Racks/Case	4800 /Case
23-0011S	10µl Extended	Natural	Yes	Yes	96 Pieces/Rack, 50 Racks/Case	4800 /Case
23-0020S	20µl	Natural	Yes	No	96 Pieces/Rack, 50 Racks/Case	4800 /Case
23-0021S	20µl	Natural	Yes	Yes	96 Pieces/Rack, 50 Racks/Case	4800 /Case
23-0050S	50µl	Natural	Yes	No	96 Pieces/Rack, 50 Racks/Case	4800 /Case
23-0051S	50µl	Natural	Yes	Yes	96 Pieces/Rack, 50 Racks/Case	4800 /Case
23-0100S	100µl	Natural	Yes	No	96 Pieces/Rack, 50 Racks/Case	4800 /Case
23-0101S	100µl	Natural	Yes	Yes	96 Pieces/Rack, 50 Racks/Case	4800 /Case
23-0200S	200µl Extended	Natural	Yes	No	96 Pieces/Rack, 50 Racks/Case	4800 /Case
23-0201S	200µl Extended	Natural	Yes	Yes	96 Pieces/Rack, 50 Racks/Case	4800 /Case
23-1000S	1000µl Extended	Natural	Yes	No	96 Pieces/Rack, 50 Racks/Case	4800 /Case
23-1001S	1000µl Extended	Natural	Yes	Yes	96 Pieces/Rack, 50 Racks/Case	4800 /Case

Pipet Tip Compatibility

Pipette Brand		Axygen Axyjet (Single channel)						Axygen Axyjet (Multichannel)				Nichiyu/Oxford Benchmate			Biohit Proline (Single channel)				
Model / Range		0.1-2µl	0.5-10µl	2-20µl	5-50µl	10-100µl	20-200µl	1-10µl	5-50µl	20-200µl	50-300µl	0.5-10µl	2-20µl	10-50µl	0.2-10µl	5-100µl	10-250µl	10-500µl	50-1000µl
Volume	Product No.	Universal Fit Filter Tips																	
0.5-10ul	20-0010	✓	✓					✓				✓			✓			✓	
	21-0010	✓	✓					✓				✓			✓			✓	
1-200ul	20-0200			✓	✓	✓	✓		✓	✓	✓			✓		✓	✓		
	21-0200			✓	✓	✓	✓		✓	✓	✓			✓		✓	✓		
100-1000ul	20-1000																	✓	✓
	21-1000																	✓	✓
100-1250ul	20-1250																	✓	✓
	20-1251																	✓	✓
	21-1250																	✓	✓

Pipette Brand		Biohit Proline (Multichannel)			Biohit e-line (Single channel)				Biohit e-line (Multi channel)			Biohit m-line (Single channel)			Biohit m-line (Multichannel)				
Model / Range		0.2-10µl	5-100µl	25-250µl	1-10µl	5-120µl	10-300µl	50-1000µl	0.2-10µl	5-120µl	10-300µl	0.5-10µl	2-20µl	10-100µl	20-200µl	100-1000µl	0.5-10µl	5-100µl	30-300µl
Volume	Product No.	Universal Fit Filter Tips																	
0.5-10ul	20-0010	✓			✓				✓									✓	
	21-0010	✓			✓				✓									✓	
1-200ul	20-0200		✓	✓		✓	✓			✓	✓		✓	✓	✓			✓	✓
	21-0200		✓	✓		✓	✓			✓	✓		✓	✓	✓			✓	✓
100-1000ul	20-1000							✓								✓			
	21-1000							✓								✓			
100-1250ul	20-1250							✓								✓			
	20-1251							✓								✓			
	21-1250							✓								✓			

Pipette Brand		Capp Aero (Multichannel)							BrandTech Transferpette (Single channel)							MatrixImpact/Impact(s/mc)			
Model / Range		0.2-2µl	0.5-10µl	5-50µl	10-100µl	25-200µl	50-300µl	100-1000µl	0.1-1µl	0.5-10µl	2-20µl	5-50µl	10-100µl	20-200µl	25-250µl	100-1000µl	20-200µl	5-100µl	30-300µl
Volume	Product No.	Universal Fit Filter Tips																	
0.5-10ul	20-0010	✓	✓						✓	✓									
	21-0010	✓	✓						✓	✓									
1-200ul	20-0200			✓	✓	✓	✓				✓	✓	✓	✓		✓			
	21-0200			✓	✓	✓	✓				✓	✓	✓	✓		✓			
100-1000ul	20-1000							✓							✓				
	21-1000							✓							✓				
100-1250ul	20-1250							✓							✓				✓
	20-1251							✓							✓				✓
	21-1250							✓							✓				✓

Pipet Tip Compatibility

Pipette Brand		BrandTech Transferpette (Multichaanel)						Rainin EDP3 (Single channel)						Rainin Latch Mode					
Model / Range		0.5-10µl	2-20µl	2.5-25µl	5-50µl	10-100µl	20-200µl	30-300µl	E-MIC-10, 0.5-10µl	E2-25, 2.5-25µl	E2-100, 10-100µl	E2-250, 25-250µl	E2-1000, 100-1000µl	R2, 0.1-2µl	R10, 0.2-10µl	R20, 2-20µl	R100, 10-100µl	R200, 20-200µl	R1000, 100-1000µl
Volume	Product No.	Universal Fit Filter Tips																	
0.5-10ul	20-0010	✓	✓						✓					✓	✓				
	21-0010	✓	✓						✓					✓	✓				
1-200ul	20-0200			✓	✓	✓	✓		✓	✓	✓				✓		✓	✓	
	21-0200			✓	✓	✓	✓		✓	✓	✓				✓		✓	✓	
100-1000ul	20-1000							✓					✓						✓
	21-1000							✓					✓						✓
100-1250ul	20-1250							✓					✓						✓
	20-1251							✓					✓						✓
	21-1250							✓					✓						✓

Pipette Brand		Labnet Labpette (Single chaanel)						Labnet Labpette (Multichaanel)				Labnet Biopette E (Single chaanel)			Labnet Biopette E (Multichaanel)				
Model / Range		0.1-2µl	0.5-10µl	2-20µl	10-100µl	20-200µl	100-1000µl	1-10µl	5-50µl	20-200µl	50-300µl	0.5-10µl	2-20µl	10-200µl	100-1000µl	0.5-10µl	2-20µl	10-200µl	100-1000µl
Volume	Product No.	Universal Fit Filter Tips																	
0.5-10ul	20-0010	✓	✓					✓				✓	✓			✓	✓		
	21-0010	✓	✓					✓				✓	✓			✓	✓		
1-200ul	20-0200			✓	✓	✓			✓	✓	✓			✓				✓	
	21-0200			✓	✓	✓			✓	✓	✓			✓				✓	
100-1000ul	20-1000						✓							✓					✓
	21-1000						✓							✓					✓
100-1250ul	20-1250						✓							✓					✓
	20-1251						✓							✓					✓
	21-1250						✓							✓					✓

Pipette Brand		Eppendorf Electronic				Socorex Calibra/Accura (Single chaanel)						VWR AND VWR Signature(Multichannel)				Rainin EDP3 (Multichannel)				
Model / Range		0.5-10µl	5-100µl	2-200µl	50-1000µl	0.1-2µl	0.2-2µl	0.5-10µl	1-10µl	2-20µl	10-100µl	20-200µl	100-1000µl	1-10µl	5-50µl	20-200µl	50-300µl	EP-M8-10, 0.5-10µl	EP-M8250, 10-250µl	P200-M8, 20-200µl
Volume	Product No.	Universal Fit Filter Tips																		
0.5-10ul	20-0010	✓				✓	✓	✓	✓					✓				✓		
	21-0010	✓				✓	✓	✓	✓					✓				✓		
1-200ul	20-0200		✓	✓						✓	✓	✓			✓	✓	✓		✓	✓
	21-0200		✓	✓						✓	✓	✓			✓	✓	✓		✓	✓
100-1000ul	20-1000				✓								✓							✓
	21-1000				✓								✓							✓
100-1250ul	20-1250				✓								✓							✓
	20-1251				✓								✓							✓
	21-1250				✓								✓							✓

Pipet Tip Compatibility

Pipette Brand		VWR AND VWR Signature (Single channel)							Socorex Calibra/Accura (Multichannel)					EppendorfReference (single channel) (multichannel)					
Model / Range		0.1-2µl	0.5-10µl	2-20µl	5-50µl	10-100µl	20-200µl	50-250µl	100-1000µl	1-10µl	5-50µl	10-100µl	20-200µl	50-200µl	0.1-10µl	2-20µl	10-100µl	20-200µl	100-1000µl
Volume	Product No.	Universal Fit Filter Tips																	
0.5-10ul	20-0010	✓	✓							✓				✓					
	21-0010	✓	✓							✓				✓					
1-200ul	20-0200			✓	✓	✓	✓	✓		✓	✓	✓	✓		✓	✓	✓	✓	
	21-0200			✓	✓	✓	✓	✓		✓	✓	✓	✓		✓	✓	✓	✓	
100-1000ul	20-1000								✓						✓	✓	✓	✓	
	21-1000								✓						✓	✓	✓	✓	
100-1250ul	20-1250								✓										✓
	20-1251								✓										✓
	21-1250								✓										✓

Pipette Brand		Eppendorf Research (singlechannel)					Eppendorf Research (multichannel)					Thermo Scientif Finnpiquette (single channel)							
Model / Range		0.1-2.5µl	0.5-10µl	2-20µl	10-100µl	25-200µl	100-1000µl	0.5-10µl	5-100µl	50-100µl	20-300µl	30-300µl	50-1200µl	0.2-10µl	0.5-10µl	5-40µl	40-200µl	100-1000µl	200-1000µl
Volume	Product No.	Universal Fit Filter Tips																	
0.5-10ul	20-0010	✓	✓					✓						✓	✓				
	21-0010	✓	✓					✓						✓	✓				
1-200ul	20-0200				✓	✓			✓	✓	✓	✓	✓		✓	✓	✓	✓	
	21-0200				✓	✓			✓	✓	✓	✓	✓		✓	✓	✓	✓	
100-1000ul	20-1000				✓	✓			✓	✓	✓	✓	✓		✓	✓	✓	✓	
	21-1000				✓	✓			✓	✓	✓	✓	✓		✓	✓	✓	✓	
100-1250ul	20-1250						✓						✓					✓	✓
	20-1251						✓						✓					✓	✓
	21-1250						✓						✓					✓	✓

Pipette Brand		Thermo Scientif Finnpiquette (multichannel)		Gilson Pipetma (single channel)					
Model / Range		5-50µl	50-300µl	P2,0,1-2µl	P10, 0.2-10µl	P20, 2-20µl	P100, 10-100µl	P200, 20-200µl	P1000, 100-1000µl
Volume	Product No.	Universal Fit Filter Tips							
0.5-10ul	20-0010			✓	✓				
	21-0010			✓	✓				
1-200ul	20-0200	✓	✓			✓	✓	✓	
	21-0200	✓	✓			✓	✓	✓	
100-1000ul	20-1000	✓	✓			✓	✓	✓	
	21-1000								✓
100-1250ul	20-1250								✓
	20-1251								✓
	21-1250								✓

Pipet Tip Compatibility

Pipette Brand		Eppendorf Research Plus						Gilson Pipetman(PG)						Gilson Pipetman(PN)						Gilson Pipetman(PL)					
Model / Range		0.1-2.5µl	0.5-10µl	2-20µl	10-100µl	20-200µl	100-1000µl	P2, 0.2-2µl	P10, 1-10µl	P20, 2-20µl	P100,10-100µl	P200, 20-200µl	P1000, 100-1000µl	P2, 0.2-2µl	P10, 1-10µl	P20, 2-20µl	P100, 10-100µl	P200, 20-200µl	P1000, 100-1000µl	P2, 0.2-2µl	P10, 1-10µl	P20, 2-20µl	P100, 10-100µl	P200, 20-200µl	P1000, 100-1000µl
Volume	Product No.	Universal Fit Filter Tips																							
0.5-10ul	22-0010S	✓	✓					✓	✓					✓	✓					✓	✓				
	22-0011S	✓	✓					✓	✓					✓	✓					✓	✓				
1-20ul	22-0020S			✓					✓							✓							✓		
	22-0021S			✓					✓							✓							✓		
1-50ul	22-0050S				✓						✓	✓					✓	✓					✓	✓	
	22-0051S				✓						✓	✓					✓	✓					✓	✓	
1-100ul	22-0100S				✓						✓	✓					✓	✓					✓	✓	
	22-0101S				✓						✓	✓					✓	✓					✓	✓	
1-300ul	22-0200S					✓						✓						✓						✓	
	22-0201S					✓						✓						✓						✓	
100-1000ul	22-1000S						✓					✓							✓					✓	
	22-1001S						✓					✓							✓					✓	

Pipette Brand		Thermo Finnpipette (F1)										Thermo Finnpipette (F2)										Thermo Finnpipette (F3)													
Model / Range		0.2-2µl	1-10µl	1-10µl(µTip)	2-20µl	2-20µl(µTip)	5-50µl	5-50µl(µTip)	10-100µl	20-200µl	30-300µl	100-1000µl	0.2-2µl(µTip)	1-10µl	1-10µl(µTip)	2-20µl	2-20µl(µTip)	5-50µl	5-50µl(µTip)	10-100µl	20-200µl	100-1000µl	0.2-2µl	1-10µl	1-10µl(µTip)	2-20µl	2-20µl(µTip)	5-50µl	5-50µl(µTip)	10-100µl	20-200µl	100-1000µl			
Volume	Product No.	Universal Fit Filter Tips																																	
0.5-10ul	22-0010S	✓	✓										✓										✓	✓											
	22-0011S	✓	✓										✓										✓	✓											
1-20ul	22-0020S			✓											✓											✓									
	22-0021S			✓											✓											✓									
1-50ul	22-0050S				✓			✓	✓								✓										✓	✓							
	22-0051S				✓			✓	✓								✓										✓	✓							
1-100ul	22-0100S				✓			✓	✓								✓										✓	✓							
	22-0101S				✓			✓	✓								✓										✓	✓							
1-300ul	22-0200S					✓				✓																		✓	✓						
	22-0201S					✓				✓																		✓	✓						
100-1000ul	22-1000S										✓													✓											
	22-1001S										✓													✓											

Pipet Tip Compatibility

Pipette Brand		Thermo Finnpiipette (F1)								Thermo Finnpiipette (F2)								Thermo Finnpiipette (F3)								
Model / Range		0.1-2.5µl	0.5-10µl	2-20µl	5-50µl	10-100µl	20-200µl	50-300µl	100-1000µl	0.1-3µl	0.5-10µl	2-20µl	5-50µl	10-100µl	20-200µl	30-300µl	100-1000µl	0.1-1µl	0.1-2.5µl	0.5-10µl	2-20µl	5-50µl	10-100µl	20-200µl	30-300µl	100-1000µl
Volume	Product No.	Universal Fit Filter Tips																								
0.5-10ul	22-0010S	✓	✓							✓	✓							✓	✓	✓						
	22-0011S	✓	✓							✓	✓							✓	✓	✓						
1-20ul	22-0020S			✓							✓									✓						
	22-0021S			✓							✓									✓						
1-50ul	22-0050S				✓	✓	✓	✓				✓	✓	✓	✓						✓	✓	✓	✓	✓	
	22-0051S				✓	✓	✓	✓				✓	✓	✓	✓						✓	✓	✓	✓	✓	
1-100ul	22-0100S					✓	✓	✓					✓	✓	✓							✓	✓	✓	✓	
	22-0101S					✓	✓	✓					✓	✓	✓							✓	✓	✓	✓	
1-300ul	22-0200S						✓	✓						✓	✓								✓	✓	✓	
	22-0201S						✓	✓						✓	✓								✓	✓	✓	
100-1000ul	22-1000S								✓								✓								✓	
	22-1001S								✓								✓								✓	

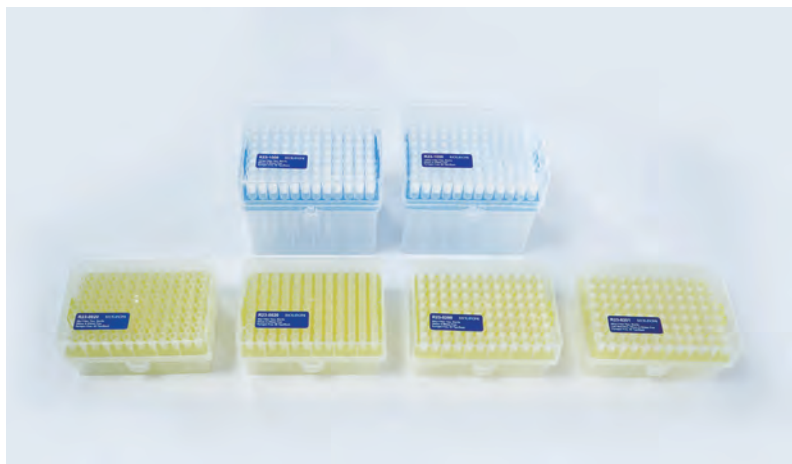
Pipette Brand		Eppendorf Research Plus						Gilson Pipetman(PG)					Gilson Pipetman(PN)					Gilson Pipetman(PL)							
Model / Range		0.1-2.5ul	0.5-10ul	2-20ul	10-100ul	20-200ul	100-1000ul	P2, 0.2-2ul	P10, 1-10ul	P20, 2-20ul	P100, 10-100ul	P200, 20-200ul	P1000, 100-1000ul	P2, 0.2-2ul	P10, 1-10ul	P20, 2-20ul	P100, 10-100ul	P200, 20-200ul	P1000, 100-1000ul	P2, 0.2-2ul	P10, 1-10ul	P20, 2-20ul	P100, 10-100ul	P200, 20-200ul	P1000, 100-1000ul
Volume	Product No.	Universal Fit Filter Tips																							
0.5-10ul	23-0010S	✓	✓					✓	✓					✓	✓					✓	✓				
	23-0011S	✓	✓					✓	✓					✓	✓					✓	✓				
1-20ul	23-0020S			✓					✓						✓							✓	✓		
	23-0021S			✓					✓						✓							✓	✓		
1-50ul	23-0050S				✓	✓	✓			✓	✓	✓				✓	✓	✓				✓	✓	✓	✓
	23-0051S				✓	✓	✓			✓	✓	✓				✓	✓	✓				✓	✓	✓	✓
1-100ul	23-0100S				✓	✓	✓			✓	✓	✓				✓	✓	✓				✓	✓	✓	✓
	23-0101S				✓	✓	✓			✓	✓	✓				✓	✓	✓				✓	✓	✓	✓
1-300ul	23-0200S					✓	✓				✓	✓					✓	✓					✓	✓	✓
	23-0201S					✓	✓				✓	✓					✓	✓					✓	✓	✓
100-1000ul	23-1000S						✓					✓					✓								✓
	23-1001S						✓					✓					✓								✓

Pipet Tip Compatibility

Pipette Brand		Thermo Finnpiquette (F1)										Thermo Finnpiquette (F2)							Thermo Finnpiquette (F3)													
Model / Range		0.2-2ul	1-10ul	1-10ul(μ Tip)	2-20ul	2-20ul(μ Tip)	5-50ul	5-50ul(μ Tip)	10-100ul	20-200ul	30-300ul	100-1000ul	0.2-2ul(μ Tip)	1-10ul	1-10ul(μ Tip)	2-20ul	2-20ul(μ Tip)	5-50ul	5-50ul(μ Tip)	10-100ul	20-200ul	100-1000ul	0.2-2ul	1-10ul	1-10ul(μ Tip)	2-20ul	2-20ul(μ Tip)	5-50ul	5-50ul(μ Tip)	10-100ul	20-200ul	100-1000ul
Volume	Product No.	Universal Fit Filter Tips																														
0.5-10ul	23-0010S	✓	✓										✓										✓	✓								
	23-0011S	✓	✓										✓										✓	✓								
1-20ul	23-0020S				✓										✓									✓			✓					
	23-0021S				✓										✓									✓			✓					
1-50ul	23-0050S					✓		✓	✓								✓										✓			✓		✓
	23-0051S					✓		✓	✓								✓										✓			✓		✓
1-100ul	23-0100S					✓		✓	✓	✓							✓										✓		✓	✓		✓
	23-0101S					✓		✓	✓	✓							✓										✓		✓	✓		✓
1-300ul	23-0200S										✓																		✓		✓	
	23-0201S										✓																		✓		✓	
100-1000ul	23-1000S											✓													✓							✓
	23-1001S											✓													✓							✓

Pipette Brand		BIOHIT Proline								BIOHIT Proline (Plus)							BRAND									
Model / Range		0.1-2.5ul	0.5-10ul	2-20ul	5-50ul	10-100ul	20-200ul	50-300ul	100-1000ul	0.1-3ul	0.5-10ul	2-20ul	5-50ul	10-100ul	20-200ul	30-300ul	100-1000ul	0.1-1ul	0.1-2.5ul	0.5-10ul	2-20ul	5-50ul	10-100ul	20-200ul	30-300ul	100-1000ul
Volume	Product No.	Universal Fit Filter Tips																								
0.5-10ul	23-0010S	✓	✓							✓	✓							✓	✓	✓						
	23-0011S	✓	✓							✓	✓							✓	✓	✓						
1-20ul	23-0020S			✓								✓									✓					
	23-0021S			✓								✓									✓					
1-50ul	23-0050S				✓	✓	✓	✓				✓	✓	✓	✓							✓	✓	✓	✓	
	23-0051S				✓	✓	✓	✓				✓	✓	✓	✓							✓	✓	✓	✓	
1-100ul	23-0100S					✓	✓	✓					✓	✓	✓								✓	✓	✓	
	23-0101S					✓	✓	✓					✓	✓	✓								✓	✓	✓	
1-300ul	23-0200S						✓	✓						✓	✓									✓	✓	
	23-0201S						✓	✓						✓	✓									✓	✓	
100-1000ul	23-1000S								✓								✓									✓
	23-1001S								✓								✓									✓

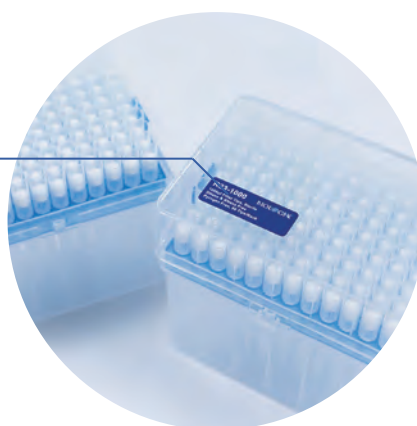
LTS Pipette Tips



>> Features

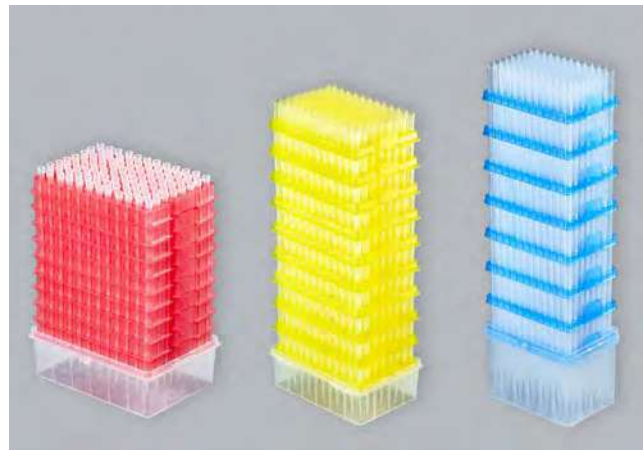
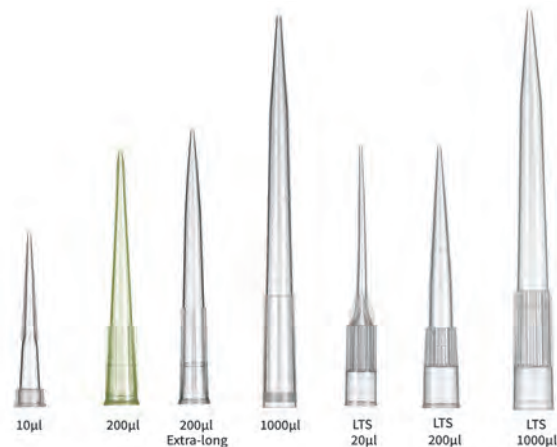
- Tips are made of medical grade polypropylene, and filters are made of highly hydrophobic UHMWPE
- 20µl, 200µl and 1000µl tips
- Filters prevent cross-contamination and damage to samples, ensure accurate and precise sample aspiration, and protect the user by preventing sample liquid or vapor from entering the pipette body
- Low-retention tips undergo a coating-free treatment and will not contaminate samples
- User-friendly labels on tip racks enable convenient usage
- DNase & RNase Free, non-pyrogen
- Sterile SAL 10⁻⁶

User-friendly labels on tip racks enable convenient usage



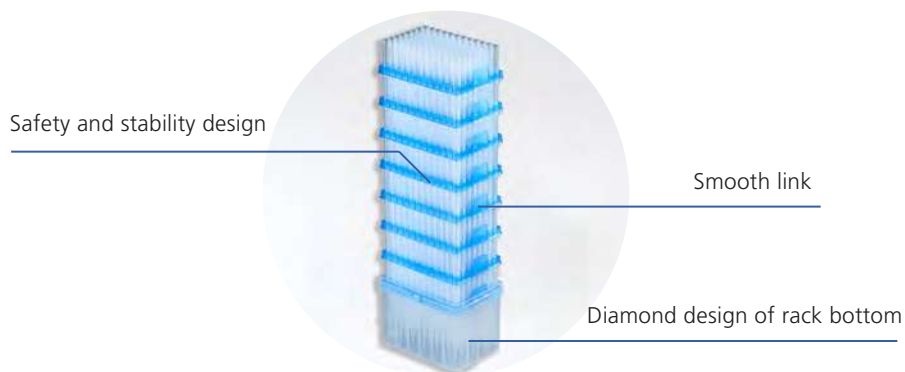
Cat #	Volume	Sterile	Low Retention	Unit
R23-0020	20µl	Yes	No	96 Tips/Rack, 50 Racks/Case
R23-0021	20µl	Yes	Yes	96 Tips/Rack, 50 Racks/Case
R23-0200	200µl	Yes	No	96 Tips/Rack, 50 Racks/Case
R23-0201	200µl	Yes	Yes	96 Tips/Rack, 50 Racks/Case
R23-1000	1000µl	Yes	No	96 Tips/Rack, 50 Racks/Case
R23-1001	1000µl	Yes	Yes	96 Tips/Rack, 50 Racks/Case

Non-filtered tips also available.



>> Features

- Made from 100% virgin polypropylen, without filters
- Universal Fit Tips: 10µl, 200µl, 200µl extra-long and 1000µl; LTS Tips: 10µl, 200µl and 1000µl
- Low Retention tips are also available
- Refill design saves storage space efficiently
- Made in certified 100,000 cleanroom; RNase & DNase, DNA, pyrogen, and ATP free
- Sterile SAL 10⁻⁶



Cat #	Description	Unit
21-R0010S	0.1 to 10µl, universal fit tips, refill pack, 32mm, sterile	96 Tips/Rack, 10 Racks/Unit, 10 Units/Case
21-R0011S	0.1 to 10µl, universal fit tips, refill pack, 32mm, sterile, low retention	96 Tips/Rack, 10 Racks/Unit, 10 Units/Case
21-R0200S	1 to 200µl, universal fit tips, refill pack, yellow, sterile, 51mm	96 Tips/Rack, 12 Racks/Unit, 10 Units/Case
21-R0201S	1 to 200µl, universal fit tips, refill pack, clear, 51mm, sterile, low retention	96 Tips/Rack, 12 Racks/Unit, 10 Units/Case
21-R0200ES	1 to 300µl, universal fit tips, extra long design, refill pack, 60mm, sterile	96 Tips/Rack, 10 Racks/Unit, 10 Units/Case
21-R0201ES	1 to 300µl, extra long design, refill pack, 60mm, sterile, low retention	96 Tips/Rack, 10 Racks/Unit, 10 Units/Case
21-R1000S	100 to 1000µl, extra long design, refill pack, blue, 102mm, sterile	96 Tips/Rack, 8 Racks/Unit, 10 Units/Case
21-R1001S	100 to 1000µl, extra long design, refill pack, clear, 102mm, low retention, sterile	96 Tips/Rack, 8 Racks/Unit, 10 Units/Case
R21-R0020S	20µl LTS tip, refill pack, sterile	96 Tips/Rack, 10 Racks/Unit, 10 Units/Case
R21-R0021S	20µl LTS tip, refill pack, sterile, low retention	96 Tips/Rack, 10 Racks/Unit, 10 Units/Case
R21-R0200S	200µl LTS tip, refill pack, sterile	96 Tips/Rack, 10 Racks/Unit, 10 Units/Case
R21-R0201S	200µl LTS tip, refill pack, sterile, low retention	96 Tips/Rack, 10 Racks/Unit, 10 Units/Case
R21-R1000S	1000µl LTS tip, refill pack, sterile	96 Tips/Rack, 8 Racks/Unit, 10 Units/Case
R21-R1001S	1000µl LTS tip, refill pack, sterile, low retention	96 Tips/Rack, 8 Racks/Unit, 10 Units/Case

Automation Tips



>> Features

- Made of medical grade polypropylene /black conductive medical grade polypropylene
- Compatible with Beckman, Tecan, Hamilton, and Agilent workstations
- Clear/black conductive tips, filtered/non-filtered tips, sterile/non-sterile tips
low-retention/non low-retention tips available
- DNase & RNase Free, non-pyrogen
- Electron beam sterilization, SAL 10⁻⁶

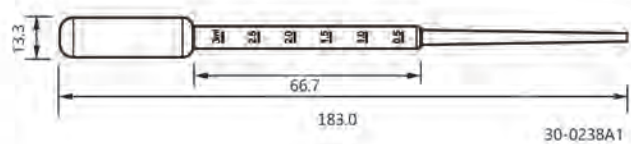
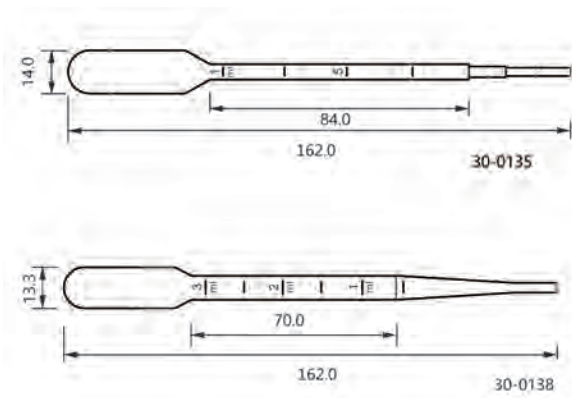
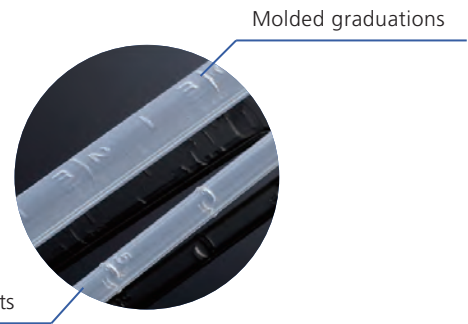


Cat #	Volume	Matched Workstations	Features	Length mm	Unit
AB23-0020S	20µl	Beckman FX/NX	Clear, filtered, sterile, green racks	Standard (38.20)	96 Tips/Rack, 10 Racks/Pack, 5 Packs/Case
AB23-0050S	50µl	Beckman FX/NX	Clear, filtered, sterile, blue racks	Standard (51.20)	96 Tips/Rack, 10 Racks/Pack, 5 Packs/Case
AB23-0250S	250µl	Beckman FX/NX	Clear, filtered, sterile, purple racks	Standard (51.20)	96 Tips/Rack, 10 Racks/Pack, 5 Packs/Case
AT23-0020S	20µl	Tecan Genensis Freedom/ Freedom Evo	Clear, filtered, sterile	Standard (35.35)	96 Tips/Rack, 24 Racks/Case
AT23-0020CS	20µl	Tecan Genensis Freedom/ Freedom Evo	Conductive, filtered, sterile	Standard (35.35)	96 Tips/Rack, 24 Racks/Case
AT23-0050S	50µl	Tecan Genensis Freedom/ Freedom Evo	Clear, filtered, sterile	Standard (58)	96 Tips/Rack, 24 Racks/Case
AT23-0050CS	50µl	Tecan Genensis Freedom/ Freedom Evo	Conductive, filtered, sterile	Standard (58)	96 Tips/Rack, 24 Racks/Case
AT23-0200S	200µl	Tecan Genensis Freedom/ Freedom Evo	Clear, filtered, sterile	Standard (58.5)	96 Tips/Rack, 24 Racks/Case
AT23-0200CS	200µl	Tecan Genensis Freedom/ Freedom Evo	Conductive, filtered, sterile	Standard (58.5)	96 Tips/Rack, 24 Racks/Case
AT23-1000S	1000µl	Tecan Genensis Freedom/ Freedom Evo	Clear, filtered, sterile	Standard (95.5)	96 Tips/Rack, 16 Racks/Case
AT23-1000CS	1000µl	Tecan Genensis Freedom/ Freedom Evo	Conductive, filtered, sterile	Standard (95.5)	96 Tips/Rack, 16 Racks/Case
AH23-0050S	50µl	Hamilton Star/Starlet/Nimbus	Clear, filtered, sterile	Standard (50.4)	96 Tips/Rack, 24 Racks/Case
AH23-0050CS	50µl	Hamilton Star/Starlet/Nimbus	Conductive, filtered, sterile	Standard (50.4)	96 Tips/Rack, 24 Racks/Case
AH23-0300S	300µl	Hamilton Star/Starlet/Nimbus	Clear, filtered, sterile	Standard (60)	96 Tips/Rack, 24 Racks/Case
AH23-0300CS	300µl	Hamilton Star/Starlet/Nimbus	Conductive, filtered, sterile	Standard (60)	96 Tips/Rack, 24 Racks/Case
AH23-1000S	1000µl	Hamilton Star/Starlet/Nimbus	Clear, filtered, sterile	Standard (95)	96 Tips/Rack, 16 Racks/Case
AH23-1000CS	1000µl	Hamilton Star/Starlet/Nimbus	Conductive, filtered, sterile	Standard (95)	96 Tips/Rack, 16 Racks/Case
AA21-0030S	30µl	Agilent	Clear, sterilized	Standard (26.04)	384 Tips/Rack, 10 Racks/Pack, 5 Packs/Case
AA23-0250S	250µl	Agilent	Clear, filtered, sterilized	Standard (55.50)	96 Tips/Rack, 10 Racks/Pack, 5 Packs/Case



>> Features

- Polyethylene pipettes will not shatter or break
- An excellent alternative to Pasteur pipettes and rubber bulbs
- Evenly distributed thickness ensures uniform suction force
- Gamma radiation sterilized option available
- Available wrapped individually (sterile) or in bulk package (non-sterile)
- DNase & RNase free



Dimensions = mm

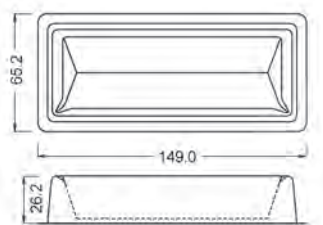
Cat #	Length	Graduated To	Sterile	Package	Unit	Total
30-0135	162.0mm	1ml	No	Bulk	500 /Pack, 4 Packs/Case	2000 /Case
30-0135A1	162.0mm	1ml	Yes	Individually Wrapped	500 /Pack, 4 Packs/Case	2000 /Case
30-0138	162.0mm	3ml	No	Bulk	500 /Pack, 4 Packs/Case	2000 /Case
30-0138A1	162.0mm	3ml	Yes	Individually Wrapped	500 /Pack, 4 Packs/Case	2000 /Case
30-0238A1	183.0mm	3ml	Yes	Individually Wrapped	500 /Pack, 4 Packs/Case	2000 /Case

Solution Basins

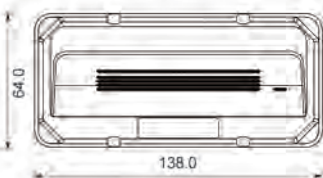


>> Features

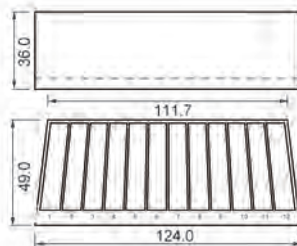
- Made of PVC, polystyrene (PS), or strong polypropylene (PP)
- PVC basins have transparent walls to permit easy viewing of contents
- Polypropylene basins are chemically resistant to alcohols and mild organic solvents
- PS one-channel basins are available in three sizes: 25ml, 55ml, and 100ml; 25ml and 55ml basins have a V-shaped bottom design
- PVC one-channel basins have a capacity of 55ml and a V-shaped bottom design
- PP 12-channel basins are double sided: the 12-channel side has a capacity of 5ml per channel; the other side (single-channel) has a capacity of 50ml
- PP 12-channel basins are available in assorted colors: clear, blue, green, pink, and yellow
- PS basins are individually packaged (sterile); PVC and PP basins are bulk packaged (non-sterile)



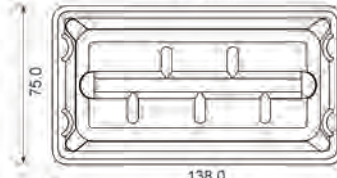
25-0051&25-0052



25-1025



25-1202



25-1100

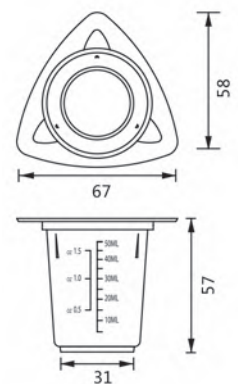
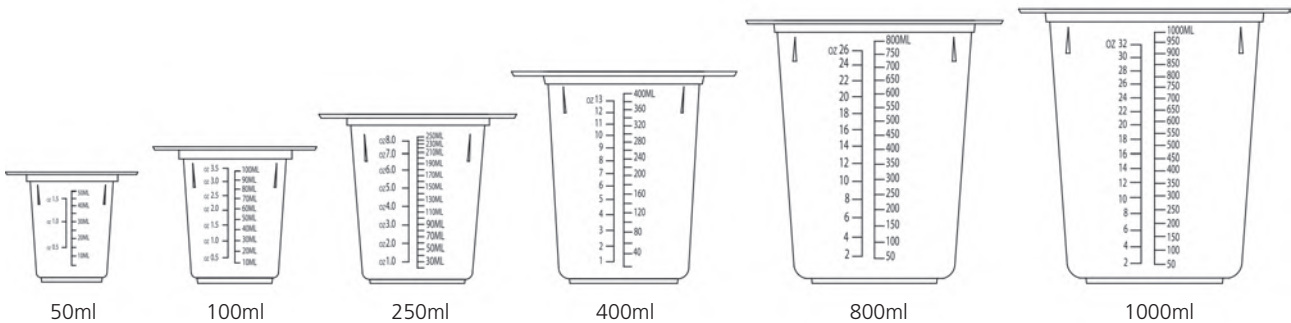
Dimensions = mm

Cat #	Volume	Material	Color	Sterile	Package	Unit	Total
25-1025	25ml	PS	White	Yes	Individually Wrapped	1 /Bag, 100 Bags/Case	100 /Case
25-1202	50ml	PP	Assorted Colors	No	Bulk	25 /Bag, 4 Bags/Case	100 /Case
25-0052	55ml	PVC	Clear	No	Bulk	100 /Bag, 8 Bags/Case	800 /Case
25-0051	55ml	PS	White	Yes	Individually Wrapped	1 /Bag, 100 Bags/Case	100 /Case
25-1100	100ml	PS	White	Yes	Individually Wrapped	1 /Bag, 50 Bags/Case	50 /Case



>> Features

- Made of strong, medical grade polypropylene, autoclavable
- Tri-corner design provides three dripless pouring spouts
- Six different sizes meet different needs



Cat #	Volume	Sterile	Unit	Total
93-0050	50ml	No	25 Pieces/Sleeve, 4 Sleeves/Case	100 /Case
93-0100	100ml	No	25 Pieces/Sleeve, 4 Sleeves/Case	100 /Case
93-0250	250ml	No	25 Pieces/Sleeve, 4 Sleeves/Case	100 /Case
93-0400	400ml	No	25 Pieces/Sleeve, 4 Sleeves/Case	100 /Case
93-0800	800ml	No	25 Pieces/Sleeve, 4 Sleeves/Case	100 /Case
93-1000	1,000ml	No	25 Pieces/Sleeve, 4 Sleeves/Case	100 /Case

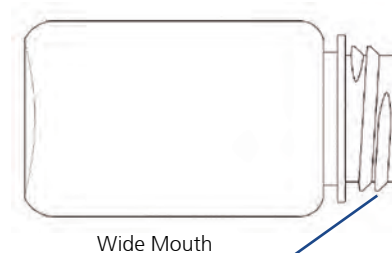
Dimensions = mm

Reagent Bottles-Wide Mouth



>> Features

- Made of durable medical grade polypropylene or high-density polyethylene
- Uniform wall thickness and strength, impact-resistant, great chemical resistance to most acid, alkali, and alcohol
- Polypropylene bottles are autoclavable
- Wide-mouth design enables the superior sealing performance, and the convenience for filling liquid
- Lineless caps provide the ultimate in leakproof protection without the use of liner that can wrinkle, cause leaks, or contaminate your reagents
- Amber/brown bottles reduce UV light transmissions to protect light-sensitive liquids; Clear/natural bottles are convenient to observe inner items
- Various volumes are available: 8ml, 15ml, 30ml, 60ml, 125ml, 250ml, 500ml, and 1000ml
- DNase & RNase free, non-pyrogenic
- Sterile bottles also available



Cat #	Color	Cat #	Color	Volume	Material	Sterile	Unit
04-0008U	Clear	04-1008U	Amber	8ml	PP	No	100 /Bag, 10 Bags/Case
04-0015U	Clear	04-1015U	Amber	15ml	PP	No	100 /Bag, 10 Bags/Case
04-0030U	Clear	04-1030U	Amber	30ml	PP	No	100 /Bag, 10 Bags/Case
04-0060U	Clear	04-1060U	Amber	60ml	PP	No	50 /Bag, 10 Bags/Case
04-0125U	Clear	04-1125U	Amber	125ml	PP	No	25 /Bag, 10 Bags/Case
04-0250U	Clear	04-1250U	Amber	250ml	PP	No	20 /Bag, 10 Bags/Case
04-0500U	Clear	04-1500U	Amber	500ml	PP	No	10 /Bag, 10 Bags/Case
04-0100U	Clear	04-1100U	Amber	1000ml	PP	No	5 /Bag, 20 Bags/Case
04-2008	Natural	04-3008	Brown	8ml	Bottles: HDPE, caps: PP	No	1000 /Case
04-2015	Natural	04-3015	Brown	15ml	Bottles: HDPE, caps: PP	No	1000 /Case
04-2030	Natural	04-3030	Brown	30ml	Bottles: HDPE, caps: PP	No	400 /Case
04-2060	Natural	04-3060	Brown	60ml	Bottles: HDPE, caps: PP	No	650 /Case
04-2125	Natural	04-3125	Brown	125ml	Bottles: HDPE, caps: PP	No	350 /Case
04-2250	Natural	04-3250	Brown	250ml	Bottles: HDPE, caps: PP	No	200 /Case
04-2500	Natural	04-3500	Brown	500ml	Bottles: HDPE, caps: PP	No	100 /Case
04-2100	Natural	04-3100	Brown	1000ml	Bottles: HDPE, caps: PP	No	50 /Case

Reagent Bottles-Narrow Mouth



>> Features

- Made of durable medical grade polypropylene or high-density polyethylene
- Uniform wall thickness and strength, impact-resistant, great chemical resistance to most acid, alkali, and alcohol
- Amber/brown bottles reduce UV light transmissions to protect light-sensitive liquids; Clear/natural bottles are convenient to observe inner items
- Various volumes are available: 8ml, 15ml, 30ml, 60ml, 125ml, 250ml, 500ml, and 1000ml
- Passed the multi-batch cross-sealing performance test (-90KPA, >5mins), no liquid leakage
- DNase & RNase, foreign DNA free, non-pyrogenic

Cat #	Color	Cat#	Color	Volume	Material	Sterile	Unit
04-N0004U	Clear	04-N1004U	Amber	4ml	PP	No	200/Bag, 10 Bags/Case
04-N0008U	Clear	04-N1008U	Amber	8ml	PP	No	100/Bag, 10 Bags/Case
04-N0015U	Clear	04-N1015U	Amber	15ml	PP	No	100/Bag, 10 Bags/Case
04-N0030U	Clear	04-N1030U	Amber	30ml	PP	No	100/Bag, 10 Bags/Case
04-N0060U	Clear	04-N1060U	Amber	60ml	PP	No	50/Bag, 10 Bags/Case
04-N0125U	Clear	04-N1125U	Amber	125ml	PP	No	25/Bag, 10 Bags/Case
04-N0250U	Clear	04-N1250U	Amber	250ml	PP	No	20/Bag, 10 Bags/Case
04-N0500U	Clear	04-N1500U	Amber	500ml	PP	No	10/Bag, 10 Bags/Case
04-N0100U	Clear	04-N1100U	Amber	1000ml	PP	No	5/Bag, 10 Bags/Case
04-N2004U	Natural	04-N3004U	Amber	4ml	HDPE	No	200/Bag, 10 Bags/Case
04-N2008U	Natural	04-N3008U	Amber	8ml	HDPE	No	100/Bag, 10 Bags/Case
04-N2015U	Natural	04-N3015U	Amber	15ml	HDPE	No	100/Bag, 10 Bags/Case
04-N2030U	Natural	04-N3030U	Amber	30ml	HDPE	No	100/Bag, 10 Bags/Case
04-N2060U	Natural	04-N3060U	Amber	60ml	HDPE	No	50/Bag, 10 Bags/Case
04-N2125U	Natural	04-N3125U	Amber	125ml	HDPE	No	25/Bag, 10 Bags/Case
04-N2250U	Natural	04-N3250U	Amber	250ml	HDPE	No	20/Bag, 10 Bags/Case
04-N2500U	Natural	04-N3500U	Amber	500ml	HDPE	No	10/Bag, 10 Bags/Case
04-N2100U	Natural	04-N3100U	Amber	1000ml	HDPE	No	5/Bag, 10 Bags/Case

Test Tubes



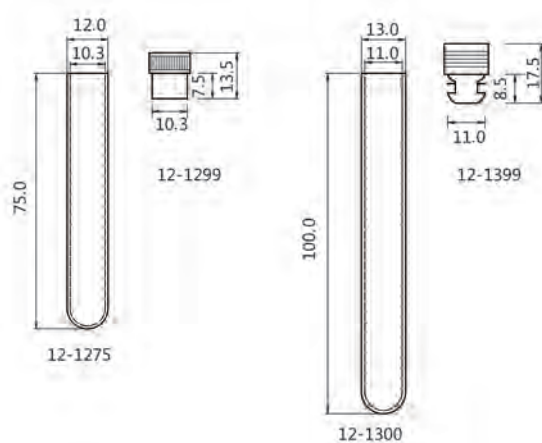
PS



PP

>> Features

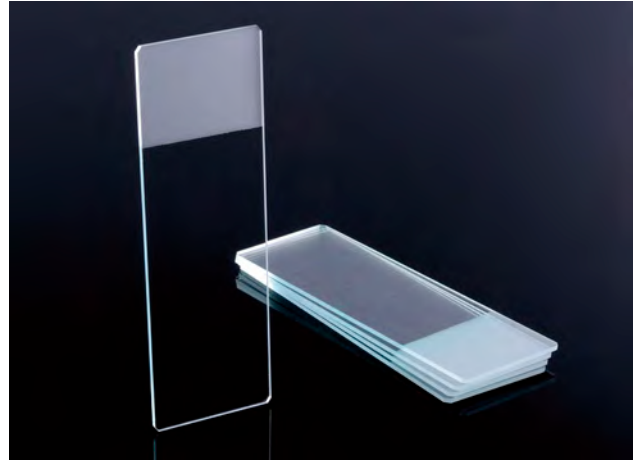
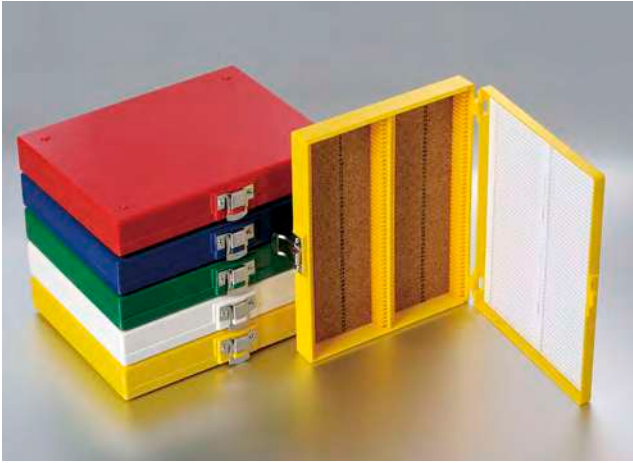
- Tubes: made of medical grade polystyrene or polypropylene
- Caps: made of medical grade polyethylene
- Tubes are available in two sizes: 12 × 75mm and 13 × 100mm



Dimensions = mm

Cat #	Description	Size(mm)	Material	Color	Volume	Sterile	Unit	Total
12-1275	Tube	12x75	PS	Clear	5ml	No	500 /Bag, 4 Bags/Case	2000 /Case
12-2275	Tube	12x75	PP	Clear	5ml	No	500 /Bag, 4 Bags/Case	2000 /Case
12-1300	Tube	13x100	PS	Clear	8ml	No	250 /Bag, 8 Bags/Case	2000 /Case
12-1299	Cap	12x13.5	PE	Blue	-	No	1,000 /Bag, 2 Bags/Case	2000 /Case
12-1399	Cap	13x17.5	PE	Red	-	No	1,000 /Bag, 2 Bags/Case	2000 /Case

Slide Storage Boxes



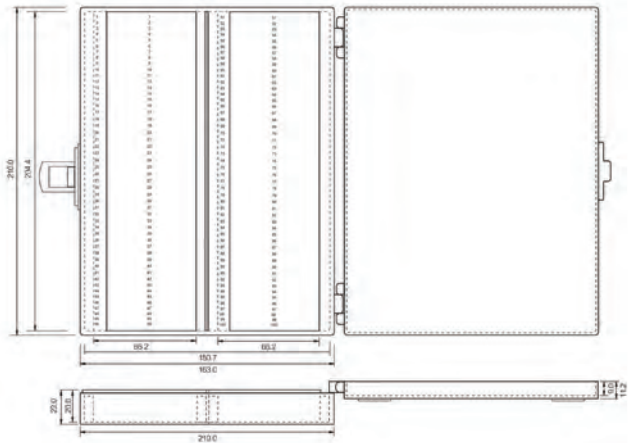
>> Features

Microscope Slides

- Made of high quality, highly transparent glass
- Slide surface highly polished
Ground edges prevent chipping and personal injury
- Slides with frosted area are convenient for labeling and storage
Slides without frosted area have a larger usable surface area

Slide Storage Boxes

- Made of strong ABS material
- Available in 25-place or 100-place sizes
- Traditional cork or foam lining available
- 5 assorted colors available: red, yellow, green, blue, and white
- Store 25mm x 75mm microscope slides
- Each slot is numbered to correspond to the slide inventory sheet inside the lid
- 100-place slide boxes are secured with a rust-resistant clasp and hinge pin



41-5100

Dimensions = mm

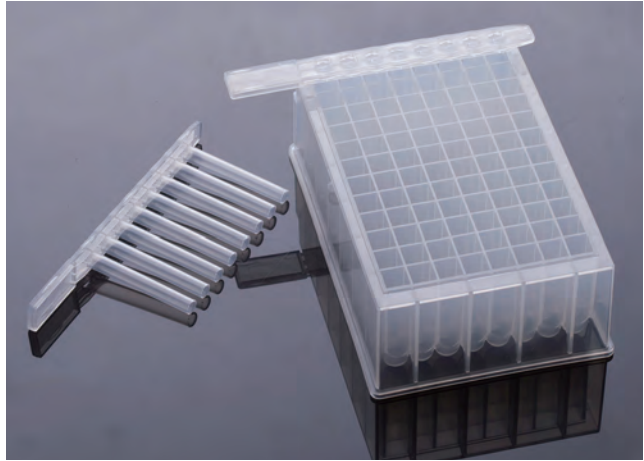
Microscope Slides

Cat #	Material	Type	Size (mm)	Sterile	Unit	Total
7101	Clear Glass	Plain Slides	25.4 x 76.2	No	72 /Pack, 50 Packs/Case	3600 /Case
7105	Clear Glass	Single Frosted End	25.4 x 76.2	No	72 /Pack, 50 Packs/Case	3600 /Case

Slide Storage Boxes

Cat #	Place	Lining	Color	Sterile	Unit	Total
41-5025	25-place	Foam	Assorted	No	5 /Bag, 4 Bags/Case	20 /Case
41-6025	25-place	Cork	Assorted	No	5 /Bag, 4 Bags/Case	20 /Case
41-5100	100-place	Foam	Assorted	No	5 /Bag, 6 Bags/Case	30 /Case
41-6100	100-place	Cork	Assorted	No	5 /Bag, 6 Bags/Case	30 /Case

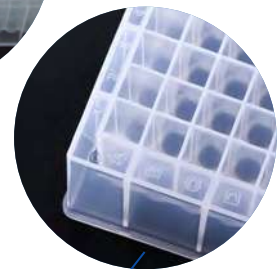
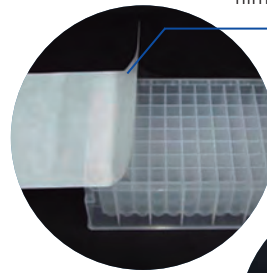
Deep Well Plates



>> Features

- Made of medical grade polypropylene, autoclavable
- Chemically resistant to alcohols and mild organic solvents
- 0.5ml, 1.0ml, 1.6ml, 2.2ml and 10ml volumes available
- Square and round wells, V and U bottom available
- DNase & RNase free, pyrogen free
- Can be sealed with sealing films or silicone sealing mats
- Confirms with SBS standards for automation
- Compatible with automated nucleic acid extraction equipment
- Sterilized, individual wrapped, and with lid type optional

Can be sealed with sealing film or silicone covers



Molded alphanumeric labeling

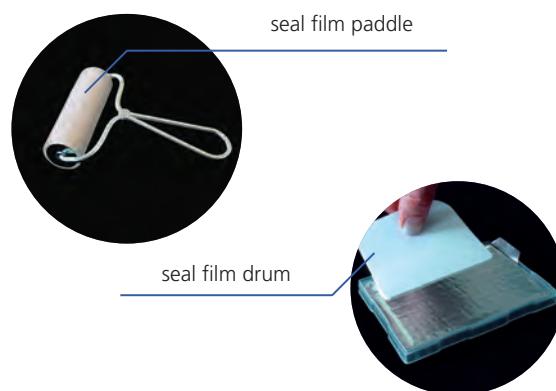
Cat #	Volume	Description	Cap	Sterile	Unit
02-8005	0.5ml	Square 96 wells, V bottom, KingFisher Flex system	No	No	10 Pieces/Pack, 100 Pieces/Case
02-2010-50	1.0ml	Round 96 wells, U bottom,	No	No	10 Pieces/Pack, 50 Pieces/Case
02-1016	1.6ml	Square 96 wells, U bottom	No	No	24 Pieces/Pack, 96 Pieces/Case
02-1022	2.2ml	Square 96 wells, U bottom	No	No	24 Pieces/Pack, 96 Pieces/Case
02-6022	2.2ml	Square 96 wells, U bottom, profile concave	No	No	24 Pieces/Pack, 96 Pieces/Case
02-7022	2.2ml	Square 96 wells, V bottom, KingFisher Flex system	No	No	10 Pieces/Pack, 50 Pieces/Case
02-9010	10ml	Square 24 wells, V bottom, KingFisher Flex system	No	No	10 Pieces/Pack, 50 Pieces/Case
02-0096	/	96-well magnet set	/	No	2 Pieces/Pack, 50 Pieces/Case
02-0008	/	8-strip magnet set	/	No	2 Pieces/Pack, 100 Pieces/Case
02-1096	/	96 square silicone sealing mats, for 96 square deep well plates	/	No	10 Pieces/Pack, 50 Pieces/Case
02-1196	/	96 square silicone sealing mats, can be punctured, for 96 square deep well plates	/	No	10 Pieces/Pack, 50 Pieces/Case
02-2196	/	96 round silicone sealing mats, can be punctured, for 1.0ml plates	/	No	10 Pieces/Pack, 50 Pieces/Case
02-2296	/	96 round silicone sealing mats, can be punctured, for 2.0ml plates	/	No	10 Pieces/Pack, 50 Pieces/Case
02-3024	/	24 square silicone sealing mats, for 24 square deep well plates 10ml	/	No	10 Pieces/Pack, 50 Pieces/Case

* Sterilized, individual wrapped, and with lid type optional.



>> Features

- Made of High quality polypropylene, transparent polyester, hard polyester, impermeable aluminum foil, vinyl
- Well with not only PCR, qPCR, ELISA, inoculation and fluorescence experiment but also general and high throughput operation
- Applied to ELISA, inoculation, sample storage and microorganism cultivation sterile/ non-sterile
- Multiple temperature ranges are available, -80°C , -70°C , -40°C , -20°C , +80°C , 90°C , +100°C , +120°C
- Colored sealers with five options are available, green/purple/orange/red/blue
- Film-sealing paddle and plate roller are optional



Cat#	Material	Temperature range	Application	Sterile	Unit	Total
61-0010	Polypropylene	-40°C ~ +120°C	ELISA, inoculation	No	100 Pieces/Box	100 /Case
61-0020	Impermeable aluminum foil	-80°C ~+120°C	PCR, cold storage of sample	No	100 Pieces/Box	100 /Case
61-0040	Hard polyester	-40°C ~ +120°C	PCR, qPCR and sample storage	No	100 Pieces/Box	100 /Case
61-0041	Hard polyester	-40°C ~+120°C	PCR, qPCR and sample storage	No	100 pieces/Box	100 /Case
61-0051	Thick porous hydrophobic rayon	-20°C ~+80°C	biological culture	Yes	50 Pieces/Box	50 /Case
61-0060	Thick vinyl	-40°C ~ +90°C	automatic sampling	No	100 Pieces/Box	100 /Case
61-0080	DMSO resistant sealing foil	-80°C ~+120°C	PCR, photosensitive test and mechanical operation	No	100 Pieces/Box	100 /Case
61-0120	Hard polyester	-40°C ~ +120°C	ELISA, inoculation	Yes	2 Rolls/Box, 100 Pieces/Roll, equip with dispenser	200 /Case
61-0152	Thick porous hydrophobic rayon	-20°C ~+80°C	biological culture	Yes	2 Rolls/Box, 50 Pieces/Roll, equip with dispenser	100 /Case
61-0210	Polyolefin	-70°C ~ +100°C	qPCR, sample storage and protein crystallization	No	100 Pieces/Box	100 /Case
61-0303	Transparent polyester	-40°C ~+120°C	PCR, qPCR and sample storage	No	400 Pieces/Box	400 /Case
61-0304	Aluminum foil	-80°C ~ +120°C	PCR, sample storage photosensitive test, automatic operation	No	300 Strip/Box	300 /Case

PCR Tubes

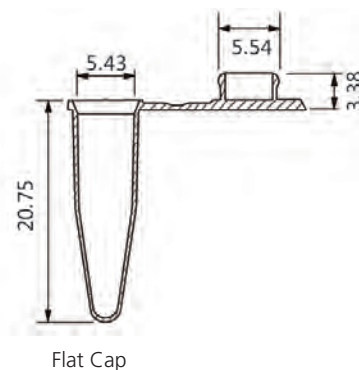


>> Features

- Made of high quality medical grade polypropylene
- Ultra thin-wall tubes provide faster heating and cooling
- High degree of transparency allows for easy observation of samples
- Available with domed caps or flat caps
- Domed caps ensure efficient heat transfer
- Flat caps are ideal for Real-Time PCR (qPCR)
- Unique cap design prevents opening during cycling and incubation stages
- DNase, RNase, and endotoxin free

Specifications

- Fits most standard thermocyclers
- Can withstand centrifugation of up to 6,000 RCF

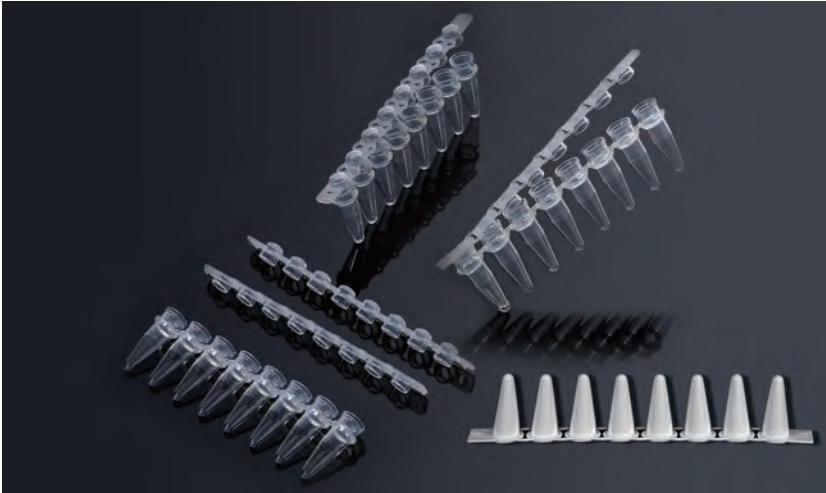


Dimensions = mm

Cat #	Volume	Color	Cap	Sterile	Unit	Total
60-0082	0.2ml	Clear	Flat-top	No	1,000 /Bag/Pack, 10 Packs/Case	10000 /Case
60-0182*	0.2ml	Pink	Flat-top	No	1,000 /Bag/Pack, 10 Packs/Case	10000 /Case
60-0282*	0.2ml	Green	Flat-top	No	1,000 /Bag/Pack, 10 Packs/Case	10000 /Case
60-0382*	0.2ml	Blue	Flat-top	No	1,000 /Bag/Pack, 10 Packs/Case	10000 /Case
60-0482*	0.2ml	Yellow	Flat-top	No	1,000 /Bag/Pack, 10 Packs/Case	10000 /Case

* Call for details.

* Please contact Biologix for the compatibility of PCR consumables..



>> Features

- Made of high quality medical grade polypropylene
- Ultra thin-wall tubes provide faster heating and cooling
- High degree of transparency allows for easy observation of samples
- Available with domed caps or flat caps
- Domed caps ensure efficient heat transfer
- Flat caps are ideal for Real-Time PCR (qPCR)
- Unique cap design prevents opening during cycling and incubation stages
- DNase, RNase, and endotoxin free

Specifications

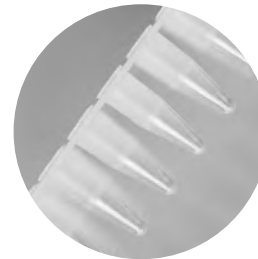
- Fits most standard thermocyclers
- Can withstand centrifugation of up to 6,000 RCF
- Packaged in resealable bags



Dome-shaped Caps



Flat Caps



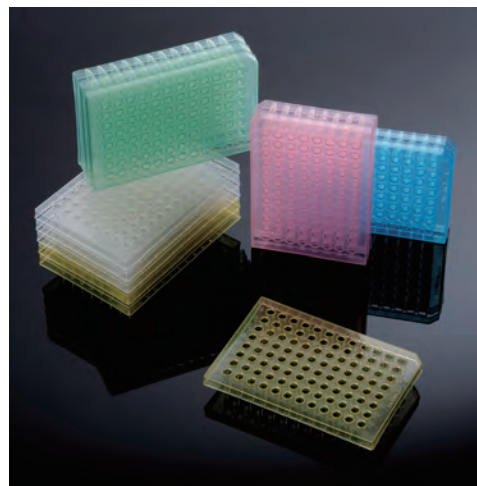
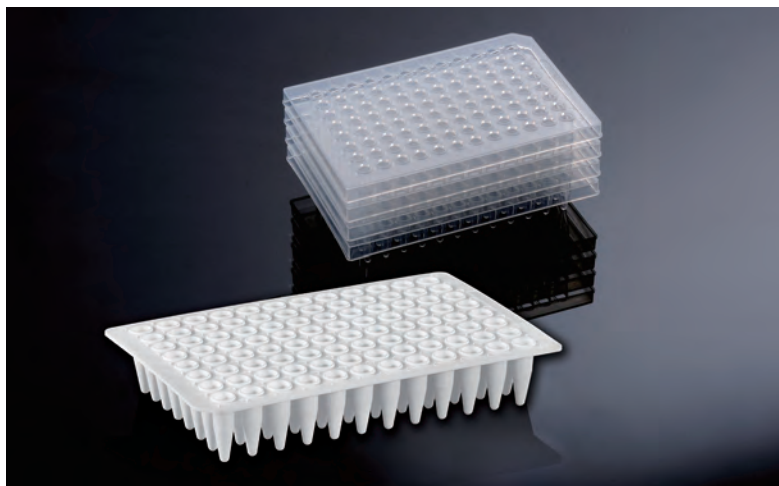
Flat Caps

Cat#	Volume	Color	Cap Type	Sterile	Unit
60-1088	0.1ml	Clear(qPCR)	Flat	No	125 Tubes+125 Caps/Pack, 10 Packs/Case; 1250 sets/Case
60-1088W	0.1ml	White(qPCR)	Flat	No	125 Tubes+125 Caps/Pack, 10 Packs/Case; 1250 sets/Case
60-0088	0.2ml	Clear	Flat	No	125 Tubes+125 Caps/Pack, 10 Packs/Case; 1250 sets/Case
60-0188*	0.2ml	Pink	Flat	No	125 Tubes+125 Caps/Pack, 10 Packs/Case; 1250 sets/Case
60-0288*	0.2ml	Green	Flat	No	125 Tubes+125 Caps/Pack, 10 Packs/Case; 1250 sets/Case
60-0388*	0.2ml	Blue	Flat	No	125 Tubes+125 Caps/Pack, 10 Packs/Case; 1250 sets/Case
60-0488*	0.2ml	Yellow	Flat	No	125 Tubes+125 Caps/Pack, 10 Packs/Case; 1250 sets/Case
60-0008	0.2ml	Clear	Domed	No	125 Tubes+125 Caps/Pack, 10 Packs/Case; 1250 sets/Case
60-0108*	0.2ml	Pink	Domed	No	125 Tubes+125 Caps/Pack, 10 Packs/Case; 1250 sets/Case
60-0208*	0.2ml	Green	Domed	No	125 Tubes+125 Caps/Pack, 10 Packs/Case; 1250 sets/Case
60-0308*	0.2ml	Blue	Domed	No	125 Tubes+125 Caps/Pack, 10 Packs/Case; 1250 sets/Case
60-0408*	0.2ml	Yellow	Domed	No	125 Tubes+125 Caps/Pack, 10 Packs/Case; 1250 sets/Case

* Call for details.

* Please contact Biologix for the compatibility of PCR consumables..

PCR Plates

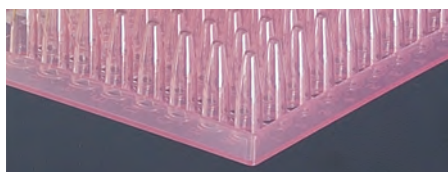


>> Features

- Made of high quality medical grade polypropylene
- Ultra-thin tube walls with uniform thickness for accelerated heat transfer, shorter cycle times, and more consistent results
- Alphanumeric well labeling for convenient identification
- DNase, RNase, and endotoxin free

Specifications

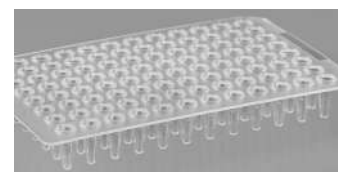
- Fits most standard thermocyclers
- Can withstand centrifugation of up to 6,000 RCF



Half-skirted plates are easy to insert and remove



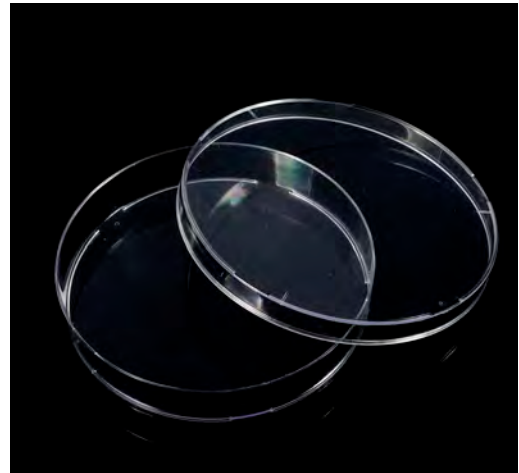
Non-skirted design is more adaptable



Cat #	Volume (per well)	Well	Skirt	Color	Sterile	Unit	Total
60-1016	0.1ml	96-well	Non-skirted	Clear	No	10 Plates/Pack, 10 Packs/Case	100 /Case
60-0016	0.2ml	96-well	Non-skirted	Clear	No	10 Plates/Pack, 10 Packs/Case	100 /Case
60-1016W	0.1ml	96-well	Non-skirted	White	No	10 Plates/Pack, 10 Packs/Case	100 /Case
60-0016W	0.2ml	96-well	Non-skirted	White	No	10 Plates/Pack, 10 Packs/Case	100 /Case
60-0056	0.2ml	96-well	Half-Skirted	Clear	No	5 /Bag, 5 Bags /Pack, 4 Packs/Case	100 /Case
60-0156*	0.2ml	96-well	Half-Skirted	Pink	No	5 /Bag, 5 Bags /Pack, 4 Packs/Case	100 /Case
60-0256*	0.2ml	96-well	Half-Skirted	Green	No	5 /Bag, 5 Bags /Pack, 4 Packs/Case	100 /Case
60-0356*	0.2ml	96-well	Half-Skirted	Blue	No	5 /Bag, 5 Bags /Pack, 4 Packs/Case	100 /Case
60-0456*	0.2ml	96-well	Half-Skirted	Yellow	No	5 /Bag, 5 Bags /Pack, 4 Packs/Case	100 /Case

* Call for details.

* Please contact Biologix for the compatibility of PCR consumables..



>> Features

- Made of medical grade polystyrene
- Highly transparent for microscopic analysis
- Three sizes available: 60mm, 90mm or 150mm in diameter
- 66-1701 fit automatic systems
- Vented lid for better gas exchange
- Dishes are stackable
- EO Sterile

Vents for gas exchange



66-1560

66-1501



66-1701

Dimensions = mm

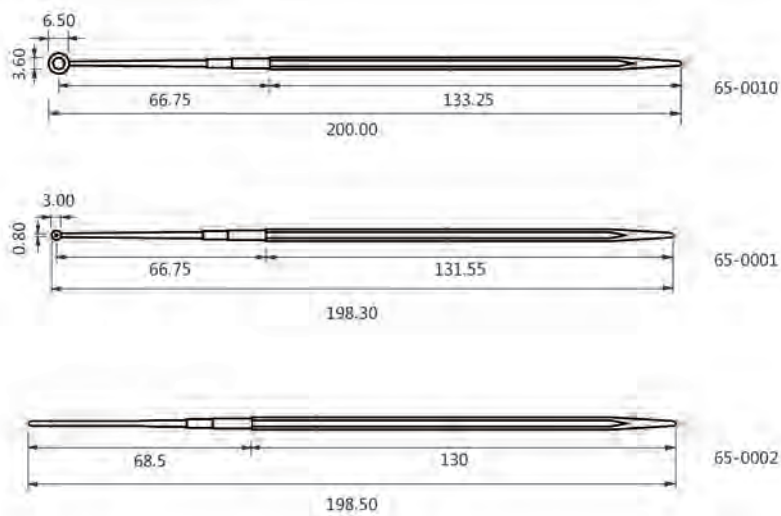
Cat #	Size (mm)	Color	Sterile	Unit	Total
66-1560	60x15	Clear	Yes	10 /Bag, 50 Bags/Case	500 /Case
66-1501	90x15	Clear	Yes	10 /Bag, 50 Bags/Case	500 /Case
66-1701	90x17	Clear	Yes	10 /Bag, 50 Bags/Case	500 /Case
66-1515	150x15	Clear	Yes	10 /Bag, 20 Bags/Case	200 /Case

Inoculating Loops & Needles

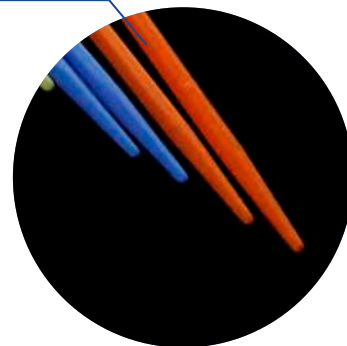


>> Features

- Made of medical grade polystyrene
- Loops available in 1 μ L and 10 μ L sizes
- The opposite end of each loop can be used as a needle
- Needles are suitable for removal of single-colony specimens
- Gamma radiation sterilized, non-pyrogenic
- Packaged in resealable bags

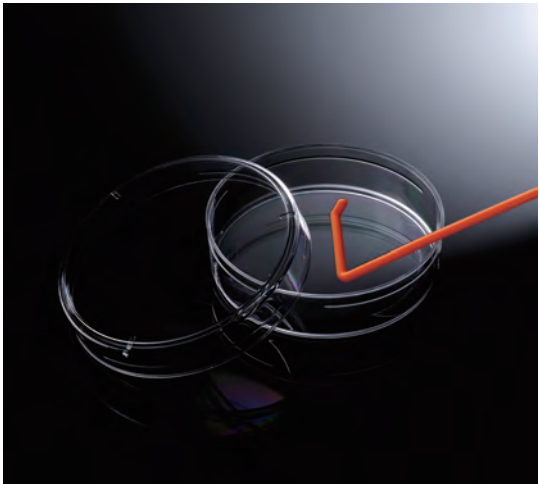
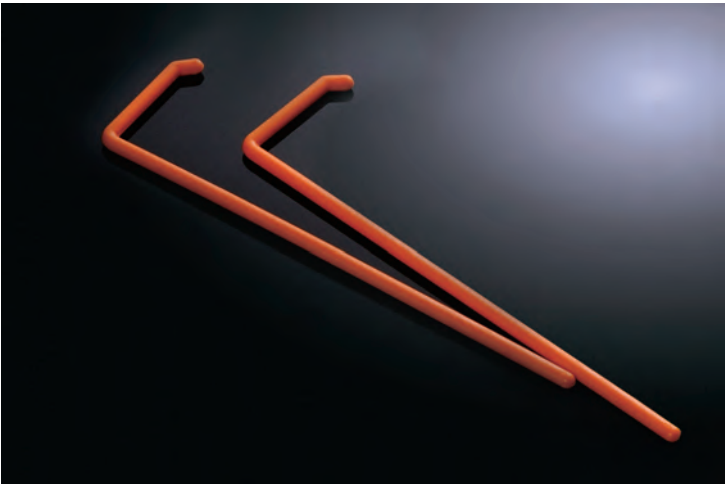


Can be used as needles



Dimensions = mm

Cat #	Size	Description	Color	Sterile	Unit	Total
65-0001	1 μ l	Loops	Blue	Yes	25 /Bag, 40 Bags/Case	1000 /Case
65-0010	10 μ l	Loops	Orange	Yes	25 /Bag, 40 Bags/Case	1000 /Case
65-0002	-	Needles	Yellow	Yes	25 /Bag, 40 Bags/Case	1000 /Case



>> Features

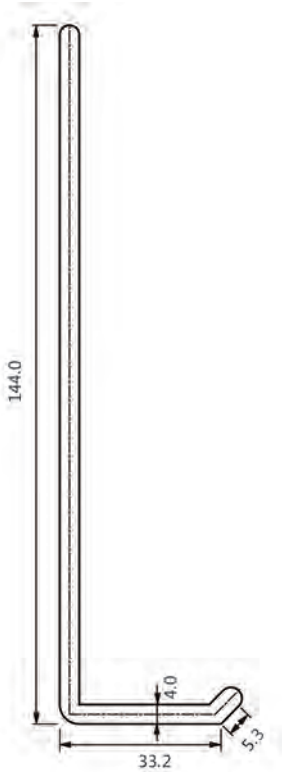
- Polystyrene
- Smooth surface quality and angled end reduce the risk of damaging the culture medium
- L-shape allows application on the entire Culture Dish or plate surface
- Two package options: individually wrapped (sterile), or 10 per bag (sterile, resealable)
- Gamma radiation sterilized
- DNase & RNase free, Non-pyrogenic



Individually plastic packaging



Zip-seal packaging



Dimensions = mm

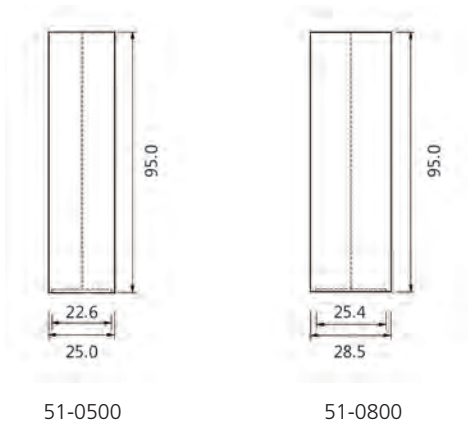
Cat #	Color	Sterile	Unit	Total
65-1001	Orange	Yes	1 /Bag, 500 Bags/Case	500 /Case
65-1010	Orange	Yes	10 /Bag, 50 Bags/Case	500 /Case

Drosophila Vials



>> Features

- Made of premium grade polystyrene
- Glass-like clarity for sample observation
- Disposable vials are a safe and cost-effective alternative to glass vials
- Narrow or wide vials available
- Both narrow and wide vials are available in bulk or tray packaging
- Tray packs are great for quick, effortless filling of vials



Your can put your logo here



Dimensions = mm

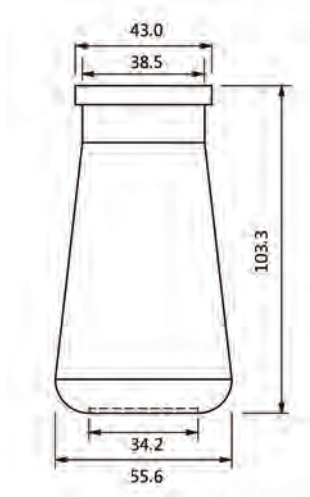
Cat #	Description	Dimensions (mm)	Sterile	Packaging	Unit	Total
51-0500	Narrow	25 x 95	No	Bulk	25 /Bag, 20 Bags/Case	500 /Case
51-0501	Narrow	25 x 95	No	Tray	100 /Tray, 5 Trays/Case	500 /Case
51-0800	Wide	28.5 x 95	No	Bulk	25 /Bag, 20 Bags/Case	500 /Case
51-0801	Wide	28.5 x 95	No	Tray	100 /Tray, 5 Trays/Case	500 /Case



>> **Features**

- Made of clear polypropylene
- Autoclavable
- Transparent bottle with square bottom
- Firm, stiff neck for easier handling

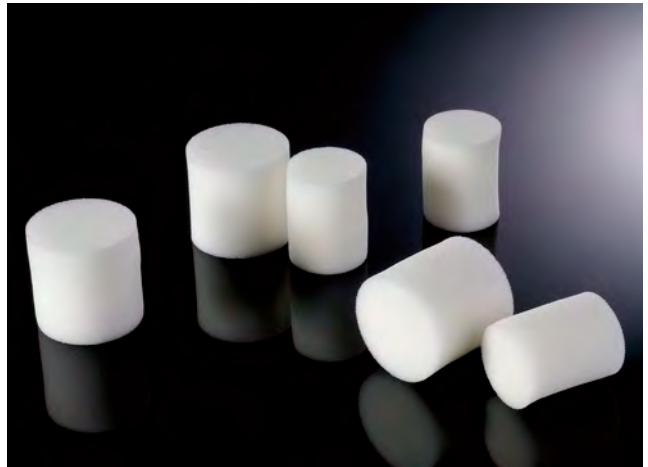
Molded graduations



Dimensions = mm

Cat #	Sterile	Packaging	Unit	Total
51-17720	No	Bulk	200 /Bag, 1 Bag/Case	200 /Case
51-17721	No	Tray	25 /Tray, 8 Trays/Case	200 /Case

Drosophila Plugs



>> Features

- Made of high density foam
- Causes minimal shedding and reduces evaporation
- Maintains tight fit after repeated use and removal
- Fits Biologix Drosophila vials and bottles

Flat surface accepts can be marked



51-0505



51-0805



51-17725

Cat #	Applied #	Fits	Sterile	Unit	Total
51-0505	51-0500/0501	Narrow Drosophila Vials	No	100 /Bag, 10 Bags/Case	1000 /Case
51-0805	51-0800/0801	Wide Drosophila Vials	No	100 /Bag, 10 Bags/Case	1000 /Case
51-17725	51-17720/17721	Drosophila Bottles	No	50 /Bag, 20 Bags/Case	1000 /Case

Sample Collection and Detection Products

Disposable Virus Collection Tube & Transportation, Preservation Medium



6ml or 12ml tubes with 2ml or 3ml medium.
All available: Oral or nasal swabs, inactivated or non-inactivated medium.
Package: Racked tubes or individually wrapped kits available.



Sample Collection Tubes



6ml or 10ml tubes without medium, self-standing bottom.
Sterile.

Disposable Swabs



Oral or nasal swabs, individually wrapped; Sterile.
Breaking point: 30mm or 80mm.

Disposable Saliva Sample Collectors



10ml tubes with inactivated or non-inactivated medium.
Biohazard disposable bags available.
Individually wrapped.



Instruments

In addition to consumable lab supplies, laboratory instruments are also important tools for life science research. High-quality lab instruments can greatly improve research efficiency and ensure precise and accurate results. Biologix now supplies small laboratory instruments for a wide variety of applications, including liquid handling, mixing, PCR, centrifuging, electrophoresis, and more.



dPette Digital Pipette

Features

- Comprehensive range of liquid handling protocols
- Three aspiration/dispensing speeds
- Motor-drive with built-in error control
- Efficient lithium-ion rechargeable battery
- Autoclavable lower barrel



Micro PettePlus Pipettes

Features

- Convenient one-handed operation
- Fully autoclavable
- Compatible with most standard pipette tips

Pipette Stand (01-2306)

- Holds up to six single- or multi-channel pipettes

*X stands for a different plug: 1- US Plug; 4- EURO Plug; 5-UK Plug

Cat #	Type	Channels	Volume Range (µL)	Tip Volume
01-241X	dPette Digital Pipette	1	0.5-10µL	0.01µL
01-242X	dPette Digital Pipette	1	5-50µL	0.1µL
01-243X	dPette Digital Pipette	1	30-300µL	1µL
01-244X	dPette Digital Pipette	1	100-1000µL	5µL
01-2101	MicroPette Plus Pipettes	1	0.5-10µL	0.1µL
01-2104	MicroPette Plus Pipettes	1	10-100µL	1µL
01-2102	MicroPette Plus Pipettes	1	20-200µL	1µL
01-2110	MicroPette Plus Pipettes	1	100-1000µL	5µL
01-2115	MicroPette Plus Pipettes	1	1000-5000µL	50µL
01-2112	MicroPette Plus Pipettes	1	0.1-2.5µL	0.05µL
01-2122	MicroPette Plus Pipettes	1	2-20µL	0.5µL
01-2155	MicroPette Plus Pipettes	1	5-50µL	0.5µL
01-2801	MicroPette Plus Pipettes	8	0.5-10µL	0.1µL
01-2805	MicroPette Plus Pipettes	8	5-50µL	0.5µL
01-2830	MicroPette Plus Pipettes	8	50-300µL	5µL
01-2210	MicroPette Plus Pipettes	12	0.5-10µL	0.1µL
01-2250	MicroPette Plus Pipettes	12	5-50µL	0.5µL
01-2230	MicroPette Plus Pipettes	12	30-300µL	5µL

Liquid Handling



Levo ME Pipette Filler

Features

- Ergonomic shape and intuitive operation
- Pressure-sensitive buttons: increasing pressure increases aspiration/dispensing speed
- Autoclavable hydrophobic filter prevents over-aspiration
- LED light indicates aspiration/dispensing, charging, and low battery

*X stands for a different plug: 1- US Plug; 4- EURO Plug; 5-UK Plug

Cat #	Type	Aspiration Speeds	Dispensing Speeds	Battery Life	Compatible Pipette Types
01-221X	Levo ME	aspirates 25mL of water in < 7 seconds	gravity dispensing	8+ hours of intermittent use	glass or plastic pipettes (0.1-100mL), Pasteur pipettes



Levo Plus Pipette Filler

Features

- Six aspiration and dispensing speeds
- LCD display shows speed settings and remaining battery life
- Efficient lithium-ion battery can last for up to 8 hours of intermittent use
- Integral, autoclavable silicone adapter suits use with 0.1-100 mL pipettes

*X stands for a different plug: 1- US Plug; 4- EURO Plug; 5-UK Plug

Cat #	Type	Aspirate Speeds	Dispense Speeds	Battery Life	Compatible Pipette Types
01-220X	Levo Plus	25ml<5s(8 shift)	Motor (6 shift) / Gravity	8+ hours of intermittent use	glass or plastic pipettes (0.1-100mL), Pasteur pipettes



SAFEVAC Vacuum Aspiration System

Features

- Integrated pump with adjustable vacuum control
- Self-closing connectors for quick installation and dismantling, prevention of drips, and containment of aerosols
- Liquid level sensor prevents overflow
- Single-channel and multi-channel nozzles and other accessory options available

*X stands for a different plug: 1- US Plug; 4- EURO Plug; 5-UK Plug

Cat #	Vacuum range	Pump flow rate	Dimensions [W x D x H]	Weight	Input voltage	Bottle volume
01-270X	0 - 600 mbar	1-15 ml/s	180 x240 x 450mm	3 kg	100-240 VAC, 50/60 Hz	4L



Laboratory Fluid Collection System

Features

- Filmed inner wall
- Connection type: Can be connected with fluid instruments of various brands
- Funnel type: Equipped with the valve funnel
- High sealing performance
- Equipped with super efficient filter with connector
- Optional: Liquid level alarm

Cat #	Product	Description	Unit
05-2720	Connection type	One 20L security bucket with inner film , One inner cover, One outer cover, One set of liquid-phase connector, One set of efficient filter connector, One inorganic or organic filter	1 Set/Case
05-2721	Funnel type	One 20L security bucket with inner film , One inner cover, One outer cover, One funnel with a cover, One set of efficient filter connector, One inorganic or organic filter	1 Set/Case
05-2791	Super efficient filter	Inorganic chemical filter	1 Set/Case
05-2792	Super efficient filter	Organic chemical filter	1 Set/Case
05-2793	Liquid lever alarm	Tactile liquid lever alarm	1 Set/Case
05-2797	Liquid carrying cart(standard)	Adjustable size; one cart and one tray	1 Set/Case
05-2798	Liquid carrying cart(intelligent)	Adjustable size; one cart and one tray; equipped with intelligent module	1 Set/Case

Stirrers



Classic Magnetic Stirrer

Features

- Powerful rare-earth permanent magnet
- PET stirring plate provides excellent chemical resistance
- Stand included



FlatSpin Magnetic Stirrer

Features

- Ultra-flat, space-saving design
- Automatic rotation-reversing stirring for better mixing results
- Slip-resistant and stable



Magnetic Stirrer Hotplate

Features

- Digital control system
- ABS casing is fire-retardant and resistant to weak acids and bases
- Ceramic-coated stainless steel hotplate is chemically resistant and scratch-proof
- Safety feature: HOT caution indicator is displayed at 50°C and above



EcoStir Square Plate Magnetic Stirrer

Features

- Compact design with small footprint, 12V voltage available for mobile labs.
- Square work plate supports 1.5L stirring capacity
- Holder with clamp for pH electrode or another sensor
- Default PET top provides excellent chemical resistance
- Extra colorful stickers satisfy DIY design by yourself
- Maintenance free brushless DC moto

*X stands for a different plug: 1- US Plug; 4- EURO Plug; 5-UK Plug

Cat #	Type	Stirring plate size [mm]	Motor input rating [W]	Motor output rating [W]	Max. stirring quantity [L, H ₂ O]	Speed range [rpm]	Overheating Protection [°C]
01-330X	Classic	Ø 120	7.2	1.2	1.5	300-2000	-
01-320X	FlatSpin	Ø 90	5	3	0.8	15-1500	-
01-310X	Hotplate	Ø 135	5	3	3	100-1500	320
01-330XA	EcoStir	Ø 120	7.2	1.2	1.5	300-2000	5-40



Vortex Mixer

Features

- Orbital mixing movement
- Touch and continuous operation settings
- Cast aluminum base and specially designed vacuum suction feet keep the mixer stable
- Various adapters and accessories available for use with tubes of different sizes ($\Phi 6\text{mm}$, $\Phi 10\text{mm}$, $\Phi 12\text{mm}$, $\Phi 16\text{mm}$, $\Phi 20\text{mm}$ test tubes and vessels $<99\text{mm}$ in diameter)



Classic Rotators (axial) 01-130X



Classic Rotators (radial) 01-120X

Classic Rotators

Features

- End-over-end rotation
- Compact, space saving design
- Various adapters available for use with 1.5mL-50mL tubes

*X stands for a different plug: 1- US Plug; 4- EURO Plug; 5-UK Plug

Cat #	Type	Speed range [rpm]	Operation mode	Voltage [V]	Power [W]
01-110X	Vortex Mixer	0-2500	Touch operation/Continuous	110-120/220-230	60
01-120X	Classic Rotator	0-80	Continuous	100-240	20
01-130X	Classic Rotator	0-80	Continuous	100-240	20

Shakers

LED Digital Orbital and Linear Shaker



Features

- Electronic adjustment of speed and timer
- Double LEDs for independent display of time and speed
- Speed range of 40-200rpm
- Fixed board face, max. load capacity is 2kg with platform
- Continuous operation (endless)
- Electronic time switching clock: 1min-19h59min
- Wide range of platforms for use with a variety of vessels
- Work plate dimension (WxD): 268x268mm
- Max. load capacity (with platform): 2kg
- Timer display: LED
- Time settings range: 1min-19h59min
- Power: 20W
- Motor input power: 20W
- Motor output power: 16W
- Dimension (WxDxH): 294x348x123mm
- Weight: 3.1kg
- Permissible ambient temperature and humidity: 5-40°C ,80%RH

*X stands for a different plug: 1- US Plug; 4- EURO Plug; 5-UK Plug

Cat #	Orbital diameter	Speed range	Speed display	Motor type	Protection class	Voltage
01-621XA	20mm	40-200rpm	LED	DC motor	IP21	100-240V,50/60HZ



Gradient Thermocycler

Features

- Thermal gradient: program different temperatures across different areas of the heating block
- Consistent and uniform sealing across entire heating block
- Intuitive touch-screen user interface



Thermocycler

Features

- Consistent and uniform sealing across entire heating block
- Intuitive touch-screen user interface

*X stands for a different plug: 1- US Plug; 4- EURO Plug; 5-UK Plug

Cat #	Type	Heating Temperature Range [°C]	Temperature Display Accuracy [°C]	Max. Heating/ Cooling Rate [°C/s]	Gradient Temperature Setting Range [°C]	Gradient Range [°C]
01-700X	Gradient Thermocycler	4-99	0.1	3	30-99	1-42
01-710X	Thermocycler	4-99	0.1	3	-	-

Centrifuges



Palm Micro Centrifuge

Features

- Quick acceleration and deceleration
- Rotors for microcentrifuge tubes, PCR tubes, and PCR 8-strip tubes included.
- Quiet, low-noise design

*X stands for a different plug: 1- US Plug; 4- EURO Plug; 5-UK Plug

Cat #	Type	Speed Range [rpm]	Max. RCF [xg]	Rotor Capacity
01-800X	Palm Micro Centrifuge	7000	2680	0.2ml/0.5ml/1.5ml/2ml x 8; 0.2ml PCR tubes x 16 or 0.2ml PCR 8-strips x 2



Mini and Mini-Plus High Speed Centrifuges

Features

- Brushless DC motor quickly accelerates rotor to the set speed
- Rotors are designed for 1.5ml and 2ml microcentrifuge tubes; adapters for 0.2ml and 0.5ml tubes are also available

Specifications

01-821X (Mini-Plus) with 01-8291 plastic rotor kit*

- Low noise: 54dB; delivers fast acceleration and deceleration

*X stands for a different plug: 1- US Plug; 4- EURO Plug; 5-UK Plug

Cat #	Type	Speed Range [rpm]	Max. RCF [xg]	Rotor Capacity	Speed Accuracy [rpm]	Temperature Range [°C]
01-821X	Mini High Speed Centrifuge	500-15000; increment: 100	15100; increment: 100	0.2ml/0.5ml/ 1.5ml/2.0ml x 12	±20	N/A



High Speed Micro-Centrifuge

Features

- Bio-safe rotor prevents sample overflow and ensures samples do not leak during the centrifuging process
- High strength aluminum alloy rotor is autoclavable and highly durable
- Four different rotors are available, assembled with 1.5ml/2ml x 24

Cat #	Type	Speed Range [rpm]	Max. RCF [xg]	Rotor Capacity	Speed Accuracy [rpm]	Temperature Range [°C]
-------	------	-------------------	---------------	----------------	----------------------	------------------------

01-830X	High Speed Micro-Centrifuge	200-15000; increment:10	21380; increment: 10	5mlx18; 0.2ml/0.5ml/ 1.5ml/2ml x 24; 0.5ml x 36;PCR8 x 4	±20	N/A
---------	-----------------------------	-------------------------	----------------------	--	-----	-----

*X stands for a different plug: 1- US Plug; 4- EURO Plug; 5-UK Plug

High-speed Refrigerated Micro Centrifuge

Features

- Centrifuge chamber door with automatic adsorption door lock design, can be closed with a single finger.
- Precooling, the compressor will automatically start cooling as long as the set temperature is lower than the ambient temperature.
- Sound indicator to prompt that the upper cover is closed to maintain the temperature inside the chamber, after centrifugation.
- Advanced R290 flurine free refrigerant ,low caron and environmental protection.
- Maximum rotation speed can be achieved even at 4 C .
- Up to 9 program storage capacity according to experimental needs.
- Biosafety rotor, three-layer seal for biosafety.
- High-strength aluminum alloy, three layered biosafety to withstand numerous high temperature and high pressure sterilizations.
- Five rotors with 0.2ml, 0.5ml, 1.5ml, 2ml and 5ml centrifuge tubes/PCR tubes capacity.
- An external condensation tank prevents condensate within the centrifuge chamber.
- Other functions: Rotation speed/RCF switchover, inching operation, running process indicator, sound alert. Acceleration/deceleration in 9 steps, program storage capacity.



Centrifuge chamber door with automatic adsorption door lock design.



Powerful cooling capacity compressor.

large display

Intuitive operation control panel

*X stands for a different plug: 1- US Plug; 4- EURO Plug; 5-UK Plug

Cat #	Type	Max. Speed	Max. RCF	Rotor	Temperature setting
-------	------	------------	----------	-------	---------------------

01-832X	High-speed Refrigerated Micro Centrifuge	15,000rpm (200-15,000rpm) in 100rpm increments.	21,380xg, step: 10xg	1.5/2mLx24, 0.5mLx36, PCR8x4, 5mLx12, 5mLx18	30s-99 min; HOLD (continuous running)
---------	--	---	----------------------	--	---------------------------------------

Centrifuges



Clinical Centrifuge

Features

- Max. speed 4000rpm.
- Rotor speed can be set in RPM/RCF, with 3 programs storage capacity for routine applications.
- Max. capacity 50ml×4, Adapt to different sizes of blood collection tubes and centrifuge tubes suitable for swing out rotor and angle rotor. Automatic internal diagnosis and self-detection.
- Maintenance-free brushless DC motor.
- Noise:≤62dB(A)
- Power:Single phase,100V-240V, 50Hz/60Hz.



Clinical Centrifuge

Features

- Speed range of 300-4000rpm.
- 3 programs storage capacity for routine applications.
- Automatic internal diagnosis.
- Maintenance free brushless DC motor.
- Noise:≤60dB(A)
- Power:Single phase,100V-240V, 50Hz/60Hz

*X stands for a different plug: 1- US Plug; 4- EURO Plug; 5-UK Plug

Cat #	Type	Speed range	Max. RCF	Rotor	Speed accuracy
01-860X	Clinical Centrifuge	500-4000rpm increment: 100rpm	2500×g	Swing6×15ml Swing4×50ml Angle24×15ml, Angle12×10ml/8×15ml	±100rpm
01-870X	Clinical Centrifuge	300-4000rpm increment: 100rpm	1900×g	Angel8×15ml(Default), Angel10ml×12	±100rpm



Dry Bath Incubator

Features

- A broad temperature range, from room temperature to 120°C
- Continuous and timed operation settings
- Over-temperature protection
- Various interchangeable heating blocks are available (0.2ml x 54, 0.5ml x 40, 1.5/2ml x 40, 5/15ml x 28, 50ml x 8, 0.2ml+0.5ml+1.5/2ml, 96 or 384 well plate)

Cat #	Type	Functions	Temperature uniformity [°C]	Overheating protection	Max heating rate [°C/min]
-------	------	-----------	-----------------------------	------------------------	---------------------------

01-910X	Dry Bath Incubator	Heating	Max ± 0.5	140 °C	5.5
---------	--------------------	---------	-----------	--------	-----

*X stands for a different plug: 1- US Plug; 4- EURO Plug; 5-UK Plug



Hot/Cold Dry Bath Incubator

Features

- Excellent temperature control system
- Can maintain hot or cold temperatures
- Supports creating and saving custom operation programs
- Various interchangeable heating blocks are available (24 x 0.5ml, 24 x 1.5ml, 24 x 2ml, 8 x 5ml, 8 x 15ml, 4 x 50ml, well plate, 0.2 x 96 PCR plate)

*X stands for a different plug: 1- US Plug; 4- EURO Plug; 5-UK Plug

Cat #	Type	Functions	Temperature range	Temperature control accuracy [°C, at 20–45°C]	Max heating rate [°C/min]
-------	------	-----------	-------------------	---	---------------------------

01-920X	Hot/Cold Dry Bath	Heating & cooling	Heating:room temp.~110°C Cooling:room temp.~ below room temp. 25°C	± 0.5	5.5
---------	-------------------	-------------------	---	-------	-----

Dry Bath Incubators



Shaker Incubator

Features

- Excellent temperature control system
- Can maintain hot or cold temperatures
- Orbital shaking movement function
- Supports creating and saving custom programs
- Various interchangeable heating blocks are available (24 x 0.5ml, 24 x 1.5ml, 24 x 2ml, 8 x 5ml, 8 x 15ml, 4 x 50ml, well plate, 0.2 x 96 PCR plate)

*X stands for a different plug: 1- US Plug; 4- EURO Plug; 5-UK Plug

Cat #	Type	Functions	Temperature range	Max heating rate [°C/min]	Max cooling rate [°C/min]	Shaking speed range [rpm]
01-930X	Shaker Incubator	Heating, cooling, & mixing	Heating: room temp. ~100°C Cooling: room temp. ~ below room temp. 25°C	5.5	5 (110°C - room temp.) 0.5 (below room temp.)	300-1500



One Block Unit



Dual Block Unit

Elite Series Dry Bath Incubators

Features

- PID temperature control maintains temperature accuracy
- Leak-proof molded aluminum alloy chamber with PTFE coating
- Multi-functional: can also be used as a water bath or bead bath
- Various interchangeable heating blocks are available (0.2ml tubes x 64 or PCR 8-strip tubes x 8, 0.5ml tubes x 20, 1.5ml or 2.0ml tubes x 20, 15ml x centrifuge tubes x12, 50ml x centrifuge tubes x4)
- Blocks are not included, need to buy separately.

Cat #	Type	Display	Temperature Control Range [°C]	Temperature Increment [°C]	Temperature Accuracy at 37 [°C]	Operation Modes
03-4221	Elite Series One-Block Dry Bath Incubator	LCD Display	5 above ambient to 150	0.10	±20	Continuous or timed up to 99 hr:59 min
03-4222	Elite Series Dual Block Dry Bath Incubator					

Dry bath

Features

- A wide range of temperature control up to 105°C /150°C .
- Overheating protection.
- USB interface can be used to trace historical data.
- Sound reminder function.
- External temperature sensor.
- Block equipped with a lid for heat preservation and prevent pollution.
- Knob adjustment is easy to operate.



*X stands for a different plug: 1- US Plug; 4- EURO Plug; 5-UK Plug

Cat #	Type	Temperature setting range[°C]	Output Current / Inc [mA]	Power [w]	Operating temperature[°C]
01-900X	Dry bath	25~105	25-90:±0.3 90-105:±0.6	100	+10~40
01-9A0X	Dry bath	25~105	25-90:±0.3 90-105:±0.6	200	+10~40
01-950X	Dry bath	25~150	25-90:±0.3 90-105:±0.6	100	+10~40
01-960X	Dry bath	25~150	25-90:±0.3 90-105:±0.6	200	+10~40



Mini Dry bath

Features

- Light in weight
- LCD display of both temperature and time.
- Rapid calibration support
- Overheating protection
- Optional blocks with different capacities are available
- Safe and stable
- USB interface to save the data
- Mini 01-970x with hot lid provided to preserve the generated heat

*X stands for a different plug: 1- US Plug; 4- EURO Plug; 5-UK Plug

Cat #	Type	Temperature setting range[°C]	Temperature control accuracy[°C]	Power [w]	Operating temperature[°C]
01-970X	Mini Dry bath	0~100	±0.5	60	+10~40
01-980X	Mini Dry bath	0~100	±0.5	60	+10~40
01-990X	Mini Dry bath	25~150	±0.5	60	+10~40

Electrophoresis



Mini 300V Power Supply



300V Power Supply

Power Supplies

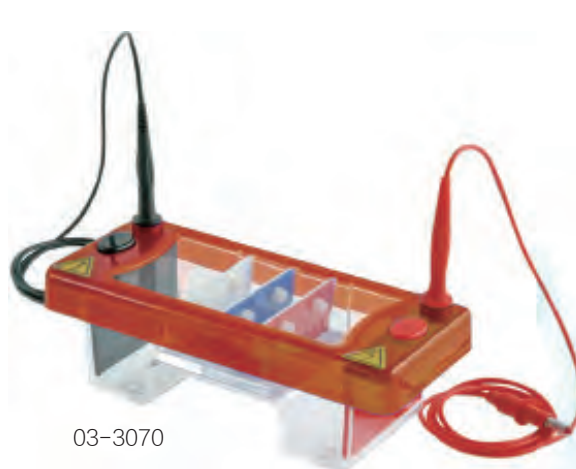
Features

- Stackable and programmable
- Multiple safety features: no-load detection, shrouded plugs and sockets, leakage detection, over-temperature protection, crossover protection, full floating, over-current/over-voltage detection

Cat #	Type	Output Voltage / Inc [V]	Output Current / Inc [mA]	Max Power [W]
03-1300	Mini 300V Power Supply	10-300/1	10-400/1	60
03-2310	300V Power Supply	5-300/1	1-700/1	150



03-3100



03-3070

Electrophoresis Tanks

Features

- Injection molded, leak-proof tank
- No tapes, clamps, or springs required
- Low buffer consumption
- Multiple tray sizes and combs available

Cat #	Tank Dimensions [W x L x H]	Gel Dimensions [mm]	Max. Sample Capacity [mm]	Rapid Casting Gel
03-3070	210 x 90 x 90mm	70 x 70, 70 x 100	32 for 70 x 70 64 for 70 x 100	Offer gel maker
03-3100	220 x 125 x 90mm	100 x 70, 100 x 100	50 for 100 x 70 100 for 100 x 100	Offer gel maker

BluView Transilluminator

Super bright blue LED lights can be used with a variety of safe dyes, and the lights are harmless and safe to view the experiment result. You can cut the gel with accuracy. With its compact size and light weight, the transilluminator occupies little of your lab bench and is easy to move from lab to lab.



BluView Transilluminator

Features

- Compact, and easy to carry
- Aluminum alloy casing design
- Low heat dispersion
- Energy saving product
- 470nm harmless blue light for direct human contact
- Thinner and more lightweight body
- Use accessories to document experiment results by a smart phone

Cat #	Blue Light Wavelength [nm]	Base Design	Construction Material	Power Adaptor	Filter Viewing Surface Dimensions [mm]
03-6210	470	Flat bed	Aluminum alloy	12VDC/5A, 60W Max.	153x153

Magnetic Hotplate Stirrer

Hotplate Magnetic Stirrer – 340°C

Features

- Brushless DC motor is maintenance free
- Digital temperature control with max. temperature at 340°C
- Stainless steel work plate with ceramic coating provides good chemical-resistant performance
- A wide variety of accessories are available



01-340X

*X stands for a different plug: 1- US Plug; 4- EURO Plug; 5-UK Plug

Cat#	Type	Stirring plate size [mm]	Motor input rating [W]	Motor output rating [W]	Max. stirring quantity [L, H ₂ O]	Speed range [rpm]	Overheating Protection [°C]
01-340X	LCD, with timer	φ 135mm(5 inch)	18W	10W	20L	100-1500rpm resolution±1rpm	20L 420°C
01-341X	LCD Hotplate Stirrer	φ 135mm(5 inch)	18W	10W	20L	100-1500rpm resolution±1rpm	20L 420°C
01-343X	Hotplate Stirrer	φ 135mm(5 inch)	18W	10W	20L	0-1500rpm resolution±1rpm	420°C
01-344X	Magnetic Stirrer	φ 135mm(5 inch)	18W	10W	20L	0-1500rpm	-

Hotplate Magnetic Stirrer – 550°C

Features

- Max. heating plate temperature 550°C
- Work plate material: Glass ceramic
- Chemical resistance



01-350X

*X stands for a different plug: 1- US Plug; 4- EURO Plug; 5-UK Plug

Cat#	Type	Stirring plate size [mm]	Motor input rating [W]	Motor output rating [W]	Max. stirring quantity [L, H ₂ O]	Speed range [rpm]	Motor Type
01-350X	LCD	184x184mm (7 inch)	18W	10W	20L	100-1500rpm resolution±1rpm	Brushless DC motor
01-351X	LED	184x184mm (7 inch)	15W	1.5W	10L	0-1500rpm	Shaded pole motor
01-352X	Hotplate	184x184mm (7 inch)	-	-	-	-	-
01-353X	Magnetic Stirrer	184x184mm (7 inch)	15W	1.5W	10L	0-1500rpm	Shaded pole motor

Multi-channel (Hotplate) Magnetic Stirrer

Features

- Max speed 1100rpm
- Maintenance-free brushless DC motor
- Multiple position
- Stainless steel work plate covered with silicone cushion, provides excellent performance of skid resistance



01-362X

*X stands for a different plug: 1- US Plug; 4- EURO Plug; 5-UK Plug

Cat#	Type	Stirring plate size [mm]	Motor input rating [W]	Motor output rating [W]	Max. stirring quantity [L, H ₂ O]	Speed range [rpm]	Overheating Protection [°C]
01-361X	Magnetic Stirrer	180×450mm	12W	4W	0.4Lx10	0-1100rpm	-
01-362X	Hotplate Magnetic Stirrer	180×450mm	12W	4W	0.4Lx10	0-1100rpm	140°C

Overhead Stirrer

Features

- Brushless DC motor for long life, maintenance free and explosion proof
- Self - locking drill chuck, tools free
- Spillage and overload protection safety circuits



01-373X

*X stands for a different plug: 1- US Plug; 4- EURO Plug; 5-UK Plug

Cat#	Type	Max. torque	Motor input rating	Motor output rating	Max. stirring quantity [H ₂ O]	Speed range	Viscosity max.
01-370X	LCD	60N•cm	120W	100W	40L	50~2200rpm	50000mPa•s
01-371X	LCD	40N•cm	60W	50W	20L	50~2200rpm	10000mPa•s
01-372X	LED	60N•cm	120W	100W	40L	50~2200rpm	50000mPa•s
01-373X	LED	40N•cm	60W	50W	20L	50~2200rpm	10000mPa•s

LCD Digital Rotary Evaporator



01-510X & 01-520X & 01-540X



Patented condenser



Patented double spring sealing ring



Large LCD display



Ejection mechanism

LCD Digital Rotary Evaporator

Features

- Digital display of both rotation speed and heating temperature allows for optimal control of all distillation processes
- Automatic motor lift releases the evaporating flask to a safe position in case of power failure
- 5L heating bath with wide temperature range from room temp. to 180°C, Water/oil heating mode can be changed only through a switch
- Boil-dry protection, automatically power off if heating without water/oil in the heating bath
- Speed range from 20 to 280rpm, and interval operation in clockwise and anticlockwise directions for drying process
- Patented condenser (cooling surface 1700cm²) with excellent cooling effect
- Ejection mechanism ensures easy removal of evaporating flask
- Patented double spring sealing ring made of PTFE provides an excellent sealing performance
- Remote function provides PC control and data transmission
- Optional glassware with explosion proof film available

*X stands for a different plug: 1- US Plug; 4- EURO Plug; 5-UK Plug

Cat#	Motor Type	Speed Range	Display	Heating Temperature Range	Heating Power	Time Setting Range
01-510X &01-520X&01-540X	Brushless DC motor	20-280rpm	LCD	Room temp. to 180°C	1300W	1-999min

Application Guidelines

Maximum centrifugal acceleration force can be influenced by following criteria:

- Use of organic solutions, temperature below 0°C, centrifuging without centrifuge adapter, etc. Conduct a trial run to determine proper conditions before any critical use begins.
- The RCF (relative centrifugal force) or G ratings for our disposable centrifuge tubes have been established at room temperature using tubes filled to nominal capacity with water and centrifuging for 30 minutes. recommended carriers, adapters, and cushions that fully support the tubes. If an angle head rotor is used or proper support is not provided, G values will be lower.
- Do not confuse speed or revolutions per minute (RPM) with relative centrifugal force (RCF). Instructions for centrifuging a sample at a given RPM and time are incomplete unless the rotor or radius is specified. Protocols should always state the time and RCF value for centrifuging a sample.

Autoclaving guideline for Plastics

To ensure successful steam sterilization of your plastic labware please adhere to the following guidelines:

PLEASE NOTE THAT NOT ALL PRODUCTS ARE AUTOCLAVABLE. Autoclave plastic consumables at 121°C and 15psi/1 atm for 15 minutes. Do not use a dry cycle, as this may cause deformation or weakening of the plastic. Allow temperature within the autoclave to return to 80°C or below before removing products.

Our Commitment to Quality

At Biologix, we look at quality from every angle in terms of functionality, safety, purity, formulation, consistency, manufacturing, customer service, technical support, and much more, all in order to consistently ensure customer satisfaction.

According to the detailed QA/QC procedures for our manufacturing facility, each and every product is traceable by lot, regardless of packaging format. Products must go through a five-step human inspection before being released for packaging.

Our facility is equipped with the latest instruments and technology from the most trusted manufacturers, ensuring that Biologix applies the most stringent standards to certify that products are free from RNase, DNase, endotoxin (pyrogens), etc.

In addition to being ISO 9001:2015, CE, and FDA compliant, we also make available to our customers lot-specific certificates such as Sterilization Certificates, Nuclease Free Certificates, Certificates of Origin, etc. Please contact Biologix for Certificates of Compliance.

Note: Product parameters within this catalogue are for reference only.

Chemical Resistance Form

For Biologix Plastic Laboratory Supplies

	PS	PP	HDPE	LDPE	PVC	CA	PC	CN	NY	MCE	PTFE	PET
Acids												
Hydrochloric acid (25%)	G	G	G	G	G	N	R	R	N	O	R	R
Hydrochloric acid (concentrated)	F	G	G	G	F	N	R	N	N	N	R	O
Nitric acid (concentrated)	P	P	N	N	P	N	R	N	N	N	O	N
Nitric acid (25%)	P	G	F	F	F	N	R	L	N	O	R	R
Alcohols												
Butanol	G	G	G	G	G	R	R	R	R	R	R	R
Ethanol	G	G	G	G	G	R	R	N	R	O	R	R
Methanol	G	G	G	G	G	R	R	N	R	O	R	R
Amines												
Aniline	G	G	G	G	P	N	N	R	R	N	R	O
Dimethylformamide	P	G	G	G	F	N	N	N	R	N	R	N
Bases												
Ammonium hydroxide (25%)	F	G	G	G	G	R	N	R	R	O	N	O
Ammonium hydroxide (1N)	F	G	G	G	G	N	N	R	R	O	N	N
Sodium hydroxide	G	G	G	G	G	N	N	N	R	N	R	N
Hydrocarbons												
Hexane	P	G	G	G	F	R	R	R	R	R	R	R
Toluene	P	G	N	N	P	R	O	R	R	R	R	N
Xylene	P	F	P	N	P	R	R	R	R	R	R	N
Dioxane	P	G	G	F	P	N	N	N	R	N	R	R
Dimethylsulfoxide (DMSO)	P	G	G	G	P	N	N	N	R	N	R	O*
Halogenated Hydrocarbons												
Chloroform	P	G	P	N	P	N	N	R	R	N	R	R
Methylene chloride	P	F	P	N	P	N	N	R	R	N	R	N
Ketones												
Acetone	P	G	G	G	P	N	O	N	R	N	R	R
Methyl ethyl diketone	P	G	G	G	P	N	O	N	R	O	R	R

* Can be used with aqueous solutions containing up to 20% DMSO.

The above chemical resistance chart is meant to be used as a guide only.

LEGEND

R = Recommended

L = Limited Resistance

N = Not Recommended

O = Testing Advised

F = Fair

G = Good

P = Poor

PS = Polystyrene

PP = Polypropylene

PVC = Polyvinyl Chloride

CA = Cellulose Acetate

PC = Polycarbonate

PTFE = Polytetrafluorethylene (Teflon)

CN = Cellulose Nitrate

NY = Nylon

MCE = Mixed Cellulose Esters

PET = Polyethylene Terephthalate

Biologix Group Limited

Phone: +86-531-67802668

Biologix Corporation

No.2766 Ying Xiu Road High-Tech Industrial Development Zone
Jinan, Shandong 250101 P.R. China

Biologix Plastics (Changzhou) Co.,Ltd.

No.45 Chang Jin East Road, Zouqu Town, Zhonglou District,
Changzhou City, Jiangsu , 213141, P. R. China

Biologix USA, Inc.

931 Via Alondra, Camarillo, CA 93012, United States

Phone: 1-805 586 6718

Email: Customercare@Biologixusa.com

www.BiologixUSA.com

Biologix Europe GmbH

Ludwigstrasse 44, 85399 Hallbergmoos, Germany

Email: Order@Biologixeuropa.com

www.BiologixEurope.com



Inquiry@BiologixGroup.com

www.BiologixGroup.com

www.CryoKING.com